



CL-2079 is Designed with a Pyramid Top and includes geometric lines that overlap an opal acrylic lens. This fixture is available in three different sizes to best suit desired specifications. CL-2079 is commonly installed in exterior locations such as: Hotels, Restaurants, Public Transportations Facilities and Other Commercial Areas.

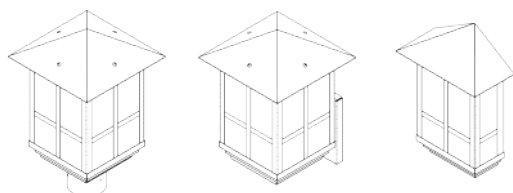
-10year or 10,000 Hour Limited Warranty

Feactures:

- 120/277 Multi-volt
- UL listed for damp and wet locations
- Kelvin: 30K, 40K or 50K
- High efficacient Lumined LED`s

Construction

- Housing is Heavy Gauge Aluminum material.
- Frosted Acrylic Lens (Standard)
- Multiple Finishes to choose (See Ordering Guide)



Post Top Wall Mount Sconce

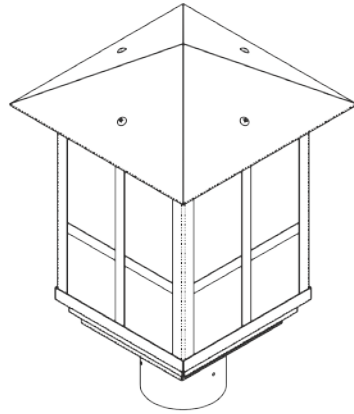


Example: CL-2079S-10CLED-30K-MV-BLK-WM-PC

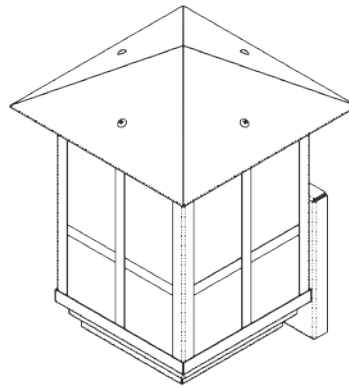
Cat #	Wattage	Color Temp.	Voltage	Finish	Mounting	Options
CL-2079 Smal (CL-2079S)	5W (5CLED)	3000K (30K)	120-277V (mv)	Matte Black (MBLK) Glossy Black (GBLK) Texture Black (TBLK) Texture White (TWHT) Silver (SLR) Bronze (BRZ) Graphite (GPH)	Post Top (PT)	Button Photocell (PC)
CL-2079 Medium (CL-2079M)	10W (10CLED)	4000K (40K)			Wall Mount (AM)	Micro Wave Sensor (MWS)
	20W (20CLED)	5000K (50K)			Sconce (SCN)	Emergency Batt. Pack (EMR)
CL-2079 Large (CL-2079L)	25W (25CLED)					Opal Acrylic Lens (OAL)
	30W (30CLED)					
	40W (40CLED)					

Mounting Options

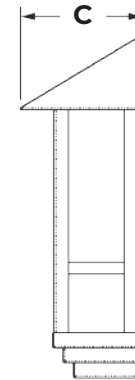
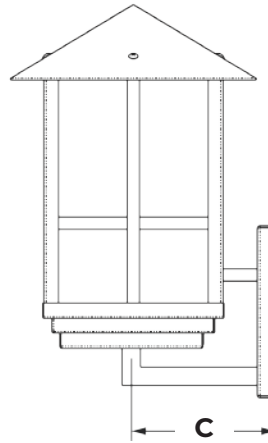
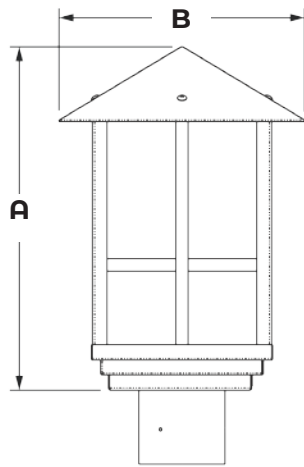
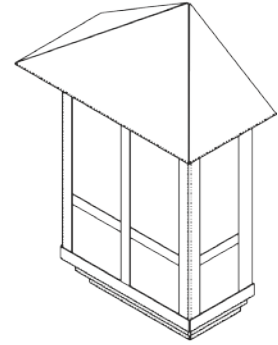
Post Top



Arm Mount



Sconce



Post Top		
Cat#	A	B
CL-2079S	12"	8"
CL-2079M	14"	10"
CL-2079L	16"	12"

Arm Mount			
Cat#	A	B	C
CL-2079S	12"	8"	12" 3/4
CL-2079M	14"	10"	14" 3/4
CL-2079L	16"	12"	16" 3/4

Sconce			
Cat#	A	B	C
CL-2079S	12"	8"	4"
CL-20749M	14"	10"	5"
CL-2079L	16"	12"	6"

Cat #	Input Power	Lumen Output	LPW	Color Temp. (CCT)	CRI	Rated Life (L70)	Input Voltage
CL-2079S-5CLED	10W	918	183	5000K	70+	>200,000	120-277V
CL-2079S-10CLED	15W	1,914	191	5000K	70+	>200,000	120-277V
CL-2079S-15CLED	20W	2754	183	5000K	70+	>200,000	120-277V
CL-2079s/m-20CLED	25W	2,935	146	5000K	70+	>200,000	120-277V
CL-20749m/L-30CLED	35W	4842	161	5000K	70+	>200,000	120-277V
CL-2079m/L-35CLED	40W	5320	152	5000K	70+	>200,000	120-277V
CL-2079m/L-40CLED	45W	6252	156	5000K	70+	>200,000	120-277V

Proudly Manufactured and Assembled in the USA