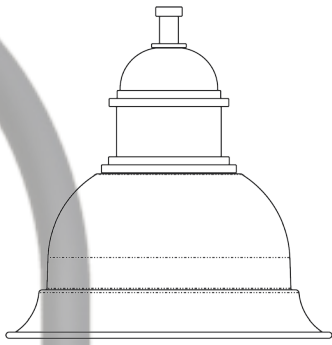


CLP-BELL TF
Architectural LED Lighting
DESIGN-FUNCTION-QUALITY

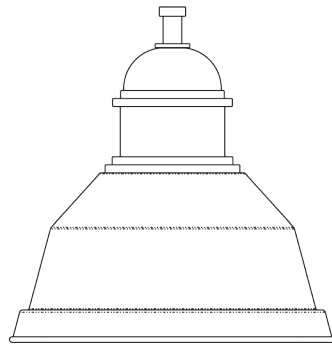


Crystal Lighting Corp.

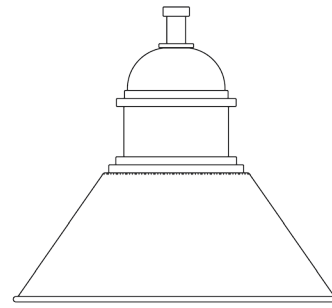




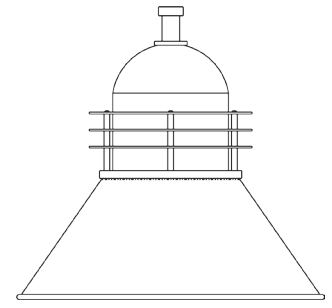
SH1/TP1



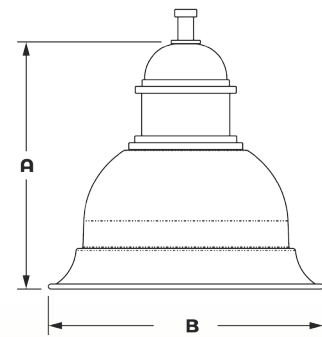
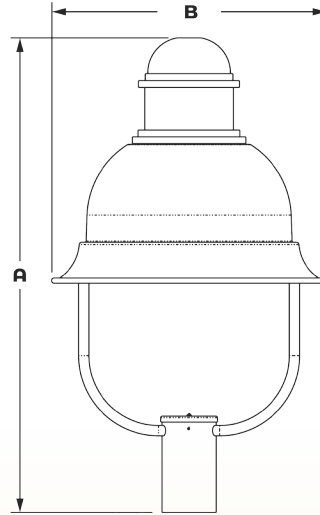
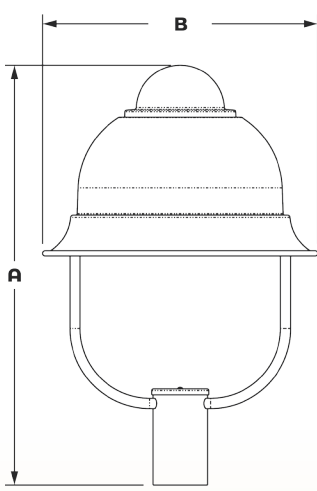
SH2/TP1



SH3/TP1



SH3/TP3/DR



Cat#	EPA
CLP-BELL-m-AM	1.38
CLP-BELL-m-PT1-ym	1.83
CLP-BELL-m-PT2-ym	1.59
CLP-BELL-L-AM	1.67
CLP-BELL-L-PT1-ym	2.14
CLP-BELL-L-PT2-ym	1.90

Dimensions		
Cat#	EPA	B
CLP-BELL-m-AM	18"	20"
CLP-BELL-m-PT1-ym	37" 3/8	20"
CLP-BELL-m-PT2-ym	31" 7/8	20"
CLP-BELL-L-AM	20"	25"
CLP-BELL-L-PT1-ym	38" 7/8	25"
CLP-BELL-L-PT2-ym	33" 3/8	25"

Cat #	Input Power	Lumen Output	LPW	Color Temp. (CCT)	Input Voltage	Input Frequency	LED Modules
CLP-BELL-m-40CLED	45W	4,636	103	590nm	120-277V	50/60HZ	2
CLP-BELL-m-50CLED	55W	5,500	100	590nm	120-277V	50/60HZ	2
CLP-BELL-m-60CLED	65W	6,348	97	590nm	120-277V	50/60HZ	2
CLP-BELL-m-80CLED	85W	8,832	103	590nm	120-277V	50/60HZ	3
CLP-BELL-m-100CLED	105W	10,580	100	590nm	120-277V	50/60HZ	3
CLP-BELL-m-120CLED	125W	12,144	97	590nm	120-277V	50/60HZ	3
CLP-BELL-m-150CLED	155W	15,318	98	590nm	120-277V	50/60HZ	4
CLP-BELL-L-180CLED	188W	19,044	101	590nm	120-277V	50/60HZ	6
CLP-BELL-L-200CLED	210W	20,977	99	590nm	120-277V	50/60HZ	6

Proudly Manufactured and Assembled in the USA