

## BEACON 12" Single Head 8" Single/Dual Head

### APPLICATIONS

This solar powered flashing BEACON (traffic sign) light will give advance warnings to drivers on the road or in shopping centers with its bright flashing LED lights. Ideal for warning applications, low visibility areas where dangerous conditions or obstructions exist. Other uses include enhancing the visibility of unlighted vehicular roadway caution or stop signs, RR crossings, and bridge abutments. Features removable solar panel capable of rotation to adjust to the sun's angle. It is powered entirely by the solar panel and battery with no AC power.

### CERTIFICATION DATA



### ORDERING INFORMATION

SERIES	LIGHT HEAD	COLOR	WORKING MODE	OPERATION MODE (For Dual-Head Only)
STL-BCN=BEACON	<b>S8D</b> =8" Single-Head <b>S12D</b> =12" Single-Head <b>D8D</b> =8" Dual-Head	<b>YL</b> =Yellow <b>RD</b> =Red	<b>24</b> =24Hours & 7Days <b>12</b> =12Hours & 7Days	<b>S</b> =Synchronous <b>A</b> =Asynchronous

-  -  -  -

### SPECIFICATION FEATURES



#### Easy & Fast Installation

- Minimize traffic disruption



#### Lower Costs

- No trenching, cabling, wiring required



#### Adjustable flash pattern

- 12 hrs per day or 24 hrs per day flashing, meet regulatory requirements



#### High Reliability & Durability

- ABS plastic shell
- Waterproof, IP65
- Anti-UV PC, higher tolerance under sun light exposure



#### High Intensity

- 60 led chips for single head, 95 led chips for double heads
- Visible in both day & night
- Can be seen from over 2500 ft, great addition to high traffic area



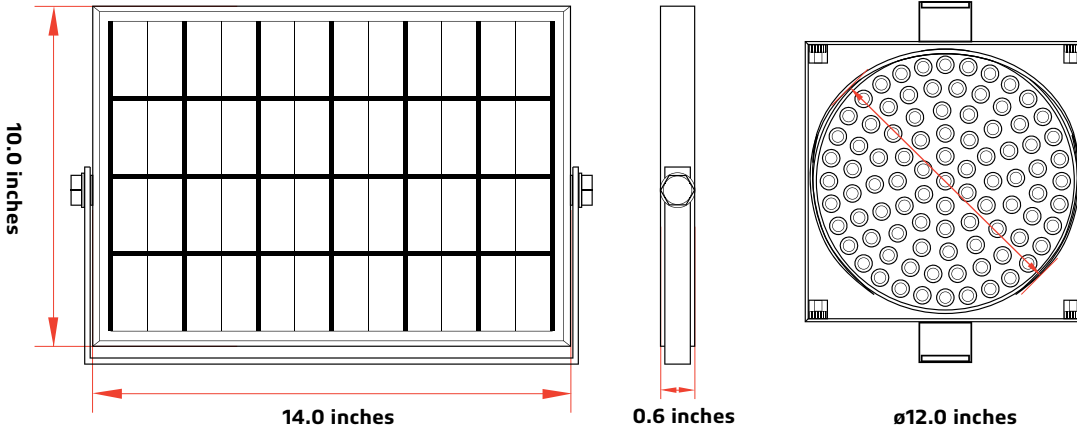
#### Multi-Purpose

- Flash 50 times/min
- Highlight new traffic pattern lights
- Provide extra visibility for sharp curve signs, animal crossing sign, etc
- Advance warning with bright blinking lights for various applications.

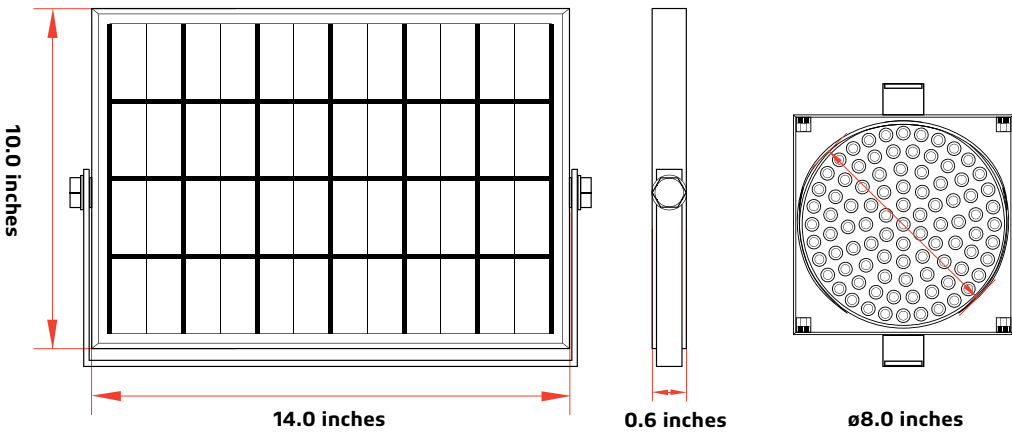
## BEACON 12" Single Head 8" Single/Dual Head

### PRODUCT SIZE

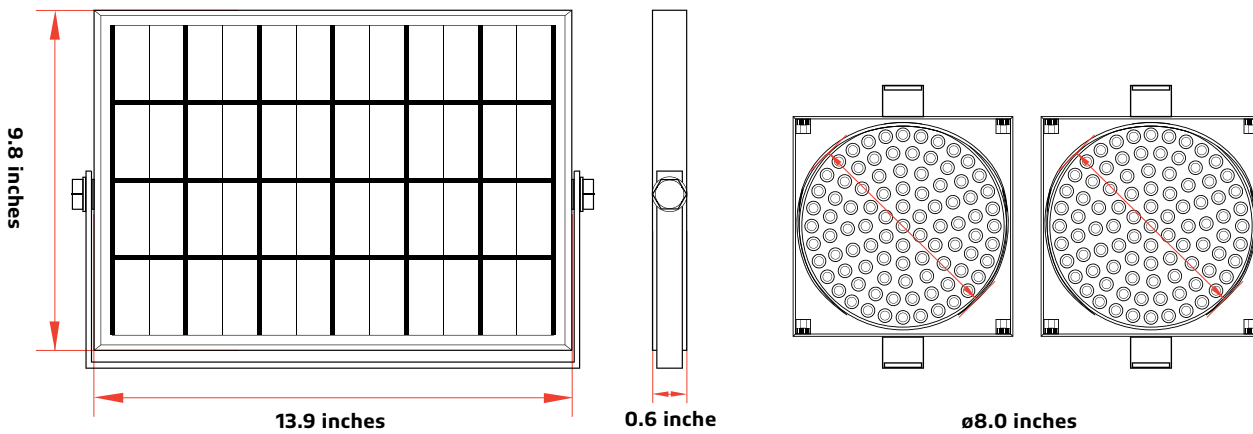
#### Beacon 12" Single-Head



#### Beacon 8" Single-Head



#### Beacon 8" Dual-Head



## BEACON 12" Single Head 8" Single/Dual Head

### SPECIFICATIONS

Specifications	BEACON 12" Single-Head	BEACON 8" Single-Head	BEACON 8" Dual-Head
LED Nominal Power	6W	3.6W	7.2W
Solar Panel	Mono-Crystalline 18V 10W	Mono-Crystalline 18V 10W	Mono-Crystalline 18V 12W
Lithium Ion Battery	12V 8.8Ah	12V 8.8Ah	12V 8.8Ah
Light Color	Yellow/Red	Yellow/Red	Yellow/Red
Illuminance	8,000 mcd (Red) 7,000 mcd (Yellow)	8,000 mcd (Red) 7,000 mcd (Yellow)	8,000 mcd (Red) 7,000 mcd (Yellow)
Product Size	Light Head ø12.0 Inches Solar Panel 14.0 X 9.8 X 0.7 Inches	Light Head ø8.0 Inches Solar Panel 14.0 X 9.8 X 0.7 Inches	Light Head ø8.0 Inches Solar Panel 14.0 X 9.8 X 0.7 Inches
Beam Angle	30°	30°	30°
Waterproof Rate	IP65	IP65	IP65
Material	Anti-UV PC	Anti-UV PC	Anti-UV PC
* Charging Time	9hrs (1000W/m <sup>2</sup> )	9hrs (1000W/m <sup>2</sup> )	9hrs (1000W/m <sup>2</sup> )
Run Time (@Full Charged)	5-7 Days	5-7 Days	5-7 Days
Working Mode	24/7 12/7	24/7 12/7	24/7 12/7
Standard Hardware	Fits 3" to 4" Diameter Posts	Fits 3" to 4" Diameter Posts	Fits 3" to 4" Diameter Posts
Flashing	50 times per minute (customization available on request)	50 times per minute (customization available on request)	50 times per minute (customization available on request)
Visible Distance	>2,500 feet	>2,500 feet	>2,500 feet
* Operating Temperature	-4 °F to 140 °F	-4 °F to 140 °F	-4 °F to 140 °F
* Charging Temperature	23 °F to 140 °F	23 °F to 140 °F	23 °F to 140 °F

\* The temperature can impact the battery's charge and daily operation.

\* The solar charge data is base on 77 degree F ambient temperature with the panel facing direct solar radiation. The standard radiation value is 1000W/m<sup>2</sup>.