



Stadium/Sport LED Light



600W



1200W

Date:..... Location:

Product:.....Project:.....

Quantity:..... Catalog#

FEATURES

- IP65 rate with up-brim unique outlook
- Lightweight and easy access wiring
- Corrosion and rust proof
- 50,000 hours lifetime

SUITABLE APPLICATIONS

- Gymnasium lighting
- Square plaza lighting
- Sea Port lighting
- Airport lighting
- High mast and Contour lighting

CONSTRUCTION:

Heavy die-cast aluminum alloy housing with black powder-coated finish. Aluminum reflector cup and glass lens.

ELECTRICAL:

Available as 100-305V/480V input. -20°C to 45°C.

OPTICAL SYSTEM:

High brightness Citizen COB LED chips.
15/23/38/45/60° beam angle Options

INSTALLATION&MOUNTING:

Angle-adjustable U bracket by mounting heights 15 to 30ft.

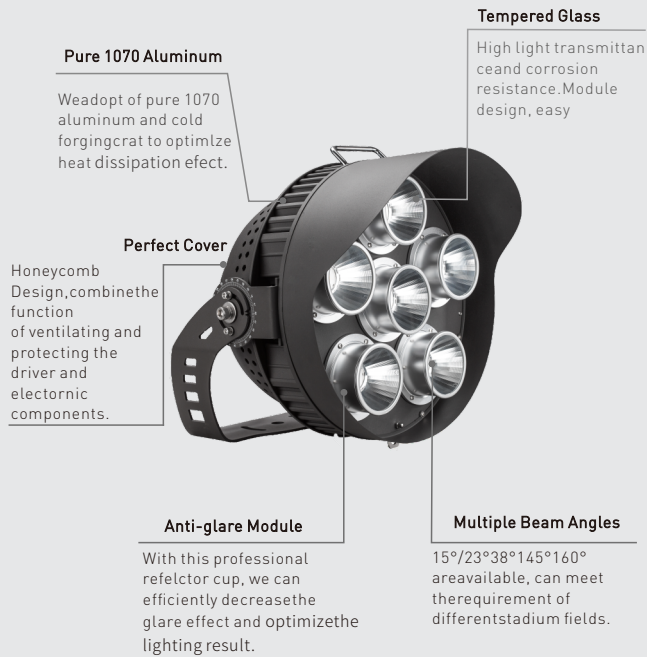
WARRANTY:

5-year limited warranty. Actual performance may differ as a result of end-user environment and application.

PERFORMANCE

Model NO	PowerFactor	Wattage	Voltage/CurrentInput			Light Efficiency	Kelvin Options
			120V	277V	480V		
LS-STU600W	0.92	600W	5.0A	2.16A	1.25A	120-130LM/W	5000K
LS-STU720W	0.92	720W	6.0A	2.59A	1.50A	120-130LM/W	5000K
LS-STU960W	0.92	960W	8.0A	3.46A	2.00A	120-130LM/W	5000K
LS-STU1200W	0.92	1200W	10.0A	4.33A	2.50A	120-130LM/W	5000K

Features



PRODUCT ORDERING GUIDE

LS-STU600W
1 2 3

LS - STU 600W

LS LEDSION

STU Stadium

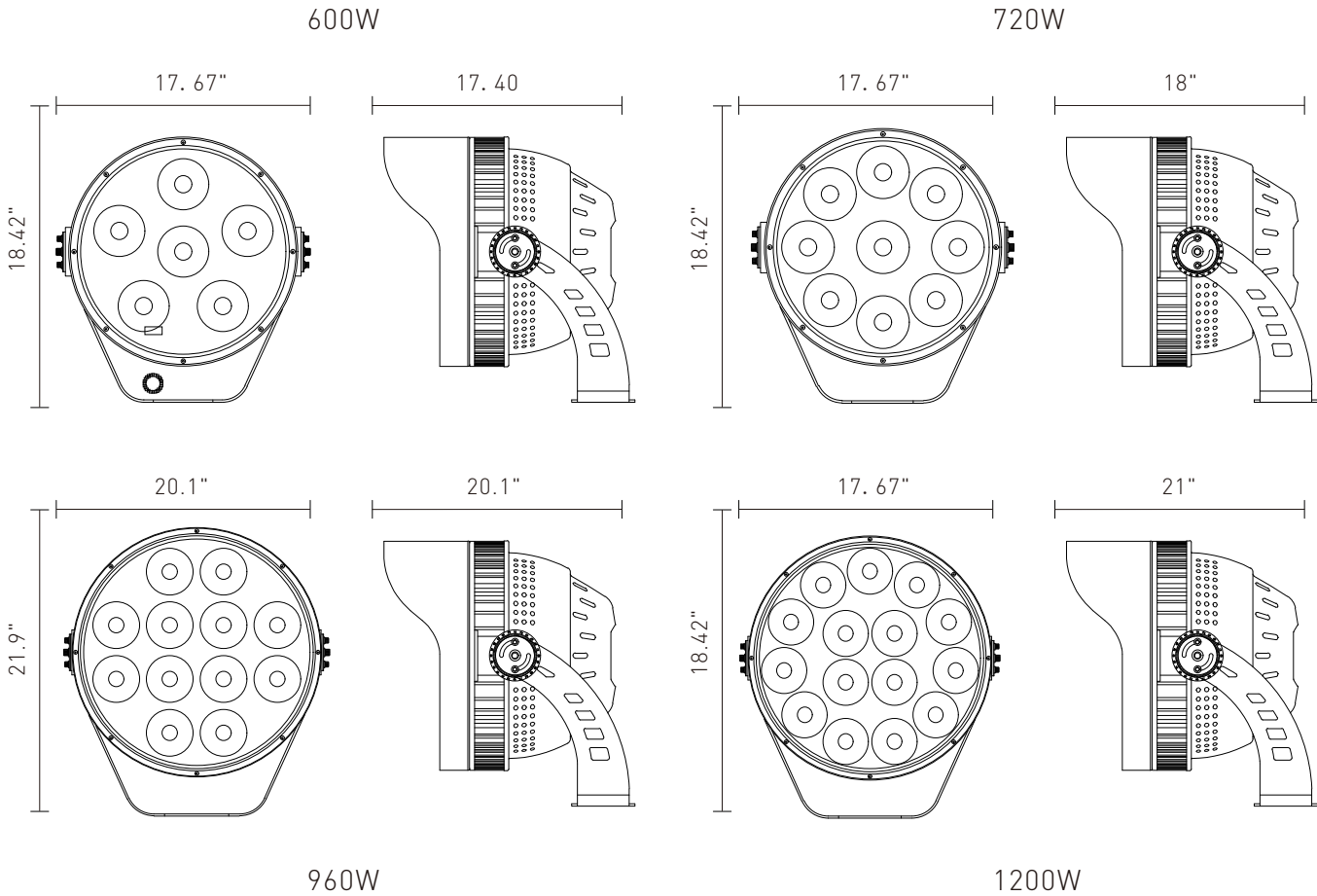
600W Power 600W 720W Power 720W

960W Power 960W 1200W Power 100W

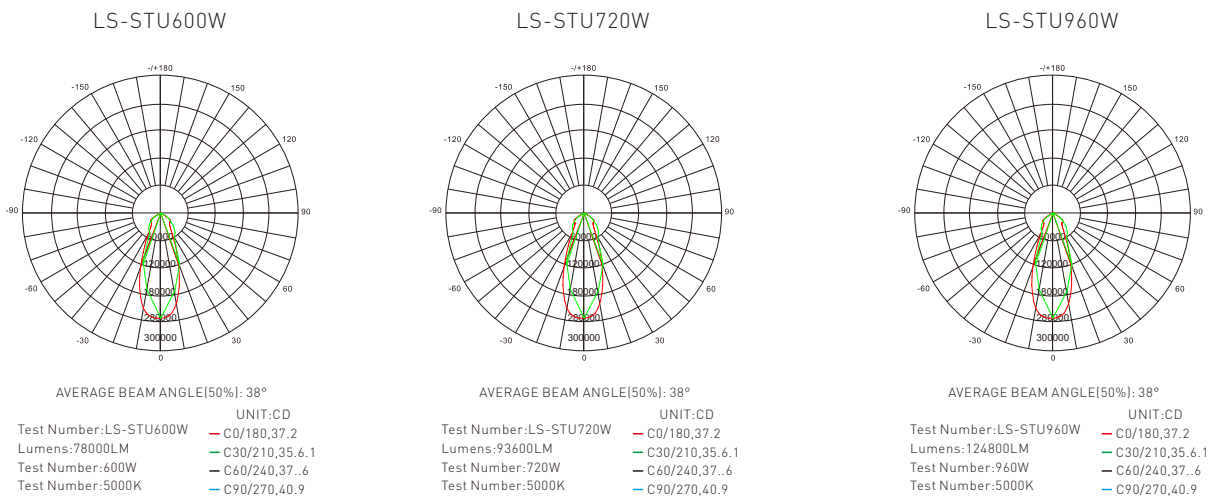
Electric Characteristic

Specification/Model	LS-STU600W	LS-STU720W	LS-STU960W	LS-STU1200W
LED Driver	UL listed INVENTRONICS EUM Series			
Input power	600W	720W	960W	1200W
Lumens output	78000LM	93600LM	124800LM	156000LM
Efficiency	120-130LM/W	120-130LM/W	120-130LM/W	120-130LM/W
CRI	>72	>72	>72	>72
Color Temperature	5000K	5000K	5000K	5000K
Input voltage	100-305V/480VAC	100-305V/480VAC	100-305V/480VAC	100-305V/480VAC
Light distribution type	15/23/38/45/60D	15/23/38/45/60D	15/23/38/45/60D	15/23/38/45/60D
Working temperature	-20+45°C	-20+45°C	-20+45°C	-20+45°C
Junction temperature	<75°C	<75°C	<75°C	<75°C
lamps efficiency	≥90%	≥90%	≥90%	≥90%
Certificate	UL CUL DLC	UL CUL DLC	UL CUL DLC	UL CUL DLC
Equivalent	1200-2000W MH/HPS	2000-2300W MH/HPS	2300-3000W MH/HPS	3000-4000W MH/HPS

DIMENSION

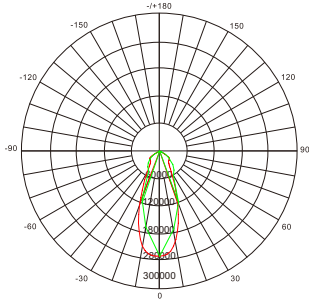


DISTRIBUTION DIAGRAM



Stadium/Sport LED Light

LS-STU1200W



AVERAGE BEAM ANGLE(50%): 38°

UNIT:CD
Test Number:LS-STU1200W C0/180,37.2
Lumens:156000LM C30/210,35.6.1
Test Number:1200W C60/240,37.6
Test Number:5000K C90/270,40.9