



V3 Watt&CCT Tunable FLOOD LED LIGHT.



Date:..... Location:

Product:.....Project:.....

Quantity:..... Catalog#

FEATURES

- Both Power and CCT adjustable
- Easy install Multiple mounts like Knuckle, Yoke or slip filter, easy install.
- Sturdy and aesthetic design, die-casting aluminum alloy.
- IP65 rated. anti-corrosion and rust proof.
- Uniform and wide flood brightness.

SUITABLE APPLICATIONS

- Warehouses
- Factories
- Parking Lots
- Shopping Malls
- Supermarkets
- Logistic Centers

CONSTRUCTION:

Heavy die-cast aluminum alloy housing with bronze powder-coated finish. Glass lens.

ELECTRICAL:

Available as 120-277V input. -20°C to 60°C,

OPTICAL SYSTEM:

High brightness Lumileds chips. High quality tempered glass optics. 120° beam angle.

INSTALLATION&MOUNTING:

Wall Mounting Or Pipe pole Mounting for easy installation..

WARRANTY:

5-year limited warranty. Actual performance may differ as a result of end-user environment and application.

PERFORMANCE

| Model NO | Power Switchable | Voltage/CurrentInput | | | Light Efficiency | Kelvin Options |
|--------------------|------------------|----------------------|------------------|-------------------|------------------|-------------------|
| | | 120V | 277V | 347V | | |
| LS3FL-15/20/35W | 15W 20W 35W | 0.12A/0.2A/0.3A | 0.06A/0.07A/0.1A | 0.04A/0.05A/0.10A | 135LM/W | 3000K/4000K/5000K |
| LS3FL-35/60/80W | 35W 60W 80W | 0.3A/0.5A/0.6A | 0.1A/0.2A/0.3A | 0.10A/0.17A/0.23A | 135LM/W | 3000K/4000K/5000K |
| LS3FL-100/120/150W | 100W 120W 150W | 0.8A/1.0A/1.2A | 0.3A/0.4A/0.5A | 0.28A/0.34A/0.43A | 135LM/W | 3000K/4000K/5000K |

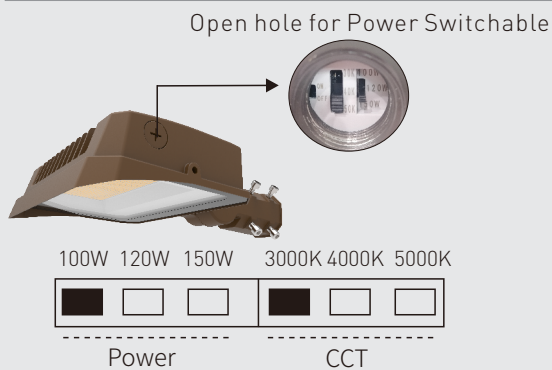
V3 Watt&CCT Tunable FLOOD LED LIGHT



LIGHTING

| Model NO | Wattage | Voltage/Current Input | | | Light Efficiency | Kelvin Options |
|------------|---------|-----------------------|-------|-------|------------------|-------------------|
| | | 120V | 277V | 347V | | |
| LS3FL-15W | 15W | 0.12A | 0.06A | 0.04A | 135LM/W | 3000K/4000K/5000K |
| LS3FL-20W | 20W | 0.20A | 0.07A | 0.05A | 135LM/W | 3000K/4000K/5000K |
| LS3FL-35W | 35W | 0.30A | 0.12A | 0.10A | 135LM/W | 3000K/4000K/5000K |
| LS3FL-60W | 60W | 0.50A | 0.20A | 0.17A | 135LM/W | 3000K/4000K/5000K |
| LS3FL-80W | 80W | 0.60A | 0.30A | 0.23A | 135LM/W | 3000K/4000K/5000K |
| LS3FL-100W | 100W | 0.80A | 0.30A | 0.28A | 135LM/W | 3000K/4000K/5000K |
| LS3FL-120W | 120W | 1.0A | 0.43A | 0.34A | 135LM/W | 3000K/4000K/5000K |
| LS3FL-150W | 150W | 1.25A | 0.54A | 1.25A | 135LM/W | 3000K/4000K/5000K |

OPTIONAL ACCESSORIES



The lamps have the function of adjusting power and color temperature

PRODUCT ORDERING GUIDE

LS 3FL - XXW
 1 2 3
 LS 3FL - 15W

- LS LEDSION
- 3FL V3 Flood
- 15W Power 15W 20W Power 20W
- 35W Power 35W 60W Power 60W
- 80W Power 80W 100W Power 100W
- 120W Power 120W 150W Power 150W

Electric Characteristic

| Specification/Model | LS3FL-35/20/15W | LS3FL-80/60/35W | LS3FL-150/120/100W |
|-------------------------|---------------------------|-----------------------|-------------------------|
| LED Driver | UL listed CN Brand driver | | |
| Input power | 35W/20W/15W | 80W/60W/35W | 150W/120W/100W |
| Lumen output | 4725LM/2700LM/2025LM | 10800LM/8100LM/4725LM | 20250LM/16200LM/13500LM |
| Efficiency | 135LM/W | 135LM/W | 135LM/W |
| CRI | >72 | >72 | >72 |
| CCT tunable | 30K/40K/50K | 30K/40K/50K | 30K/40K/50K |
| Input voltage | 120-277V/120-347VAC | 120-277V/120-347VAC | 120-277V/120-347VAC |
| Light distribution type | 120D | 120D | 120D |
| Working temperature | -20+60°C | -20+60°C | -20+60°C |
| Junction temperature | <75°C | <75°C | <75°C |
| Lamp efficiency | ≥90% | ≥90% | ≥90% |
| Certificate | UL CUL DLC | UL CUL DLC | UL CUL DLC |
| Equivalent | 15-90W MH/HPS | 90-300W MH/HPS | 300-500W MH/HPS |

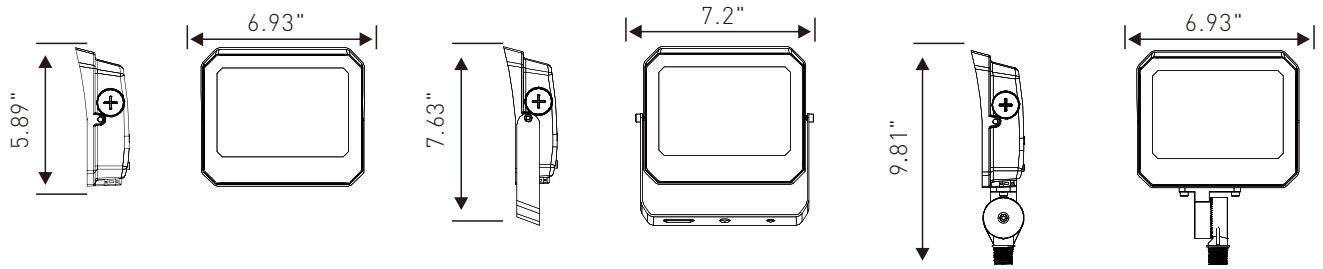
V3 Watt&CCT Tunable FLOOD LED LIGHT



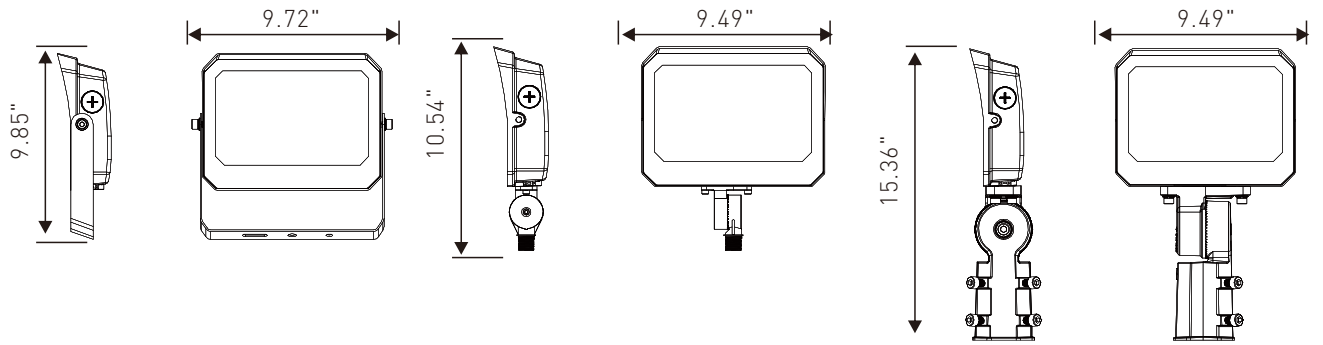
LIGHTING

DIMENSION

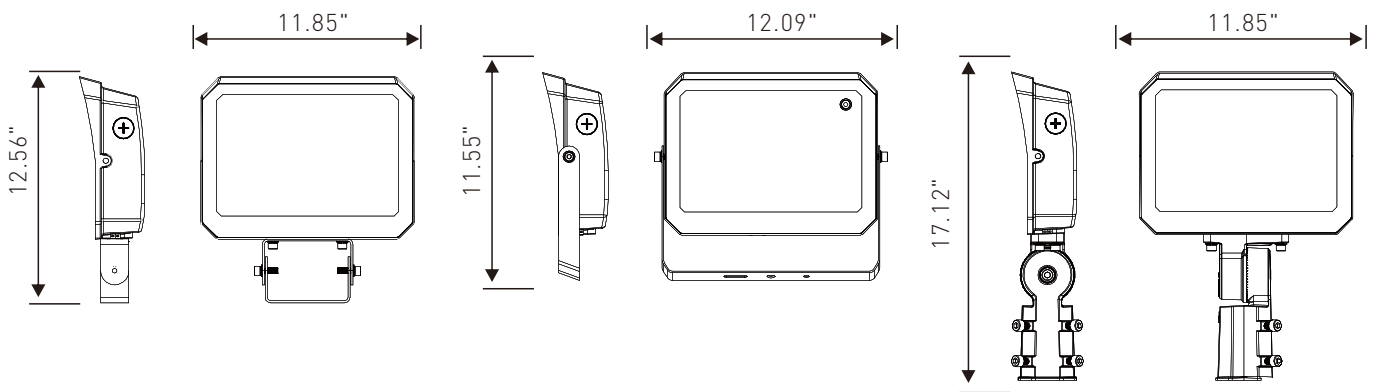
35W/15W



60W/80W

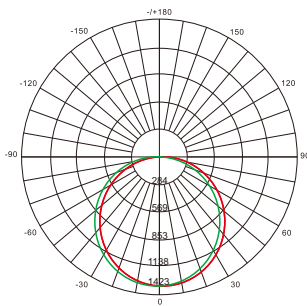


100W/150W



DISTRIBUTION DIAGRAM

LS3FL-15W

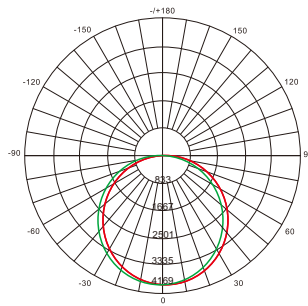


AVERAGE BEAM ANGLE[50%]: 120°

UNIT:CD
 Test Number: LS3FL15W
 Lumens:2025LM
 Test Number:15W
 Test Number:5000K

— C0/180,112.9
 — C30/210,111.5
 — C60/240,109.7
 — C90/270,110.1

LS3FL-30W

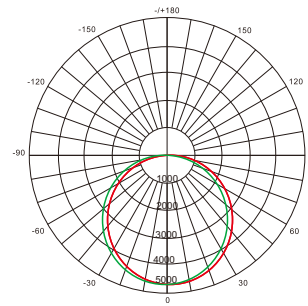


AVERAGE BEAM ANGLE[50%]: 120°

UNIT:CD
 Test Number: LS3FL-30W
 Lumens:4050LM
 Test Number:30W
 Test Number:5000K

— C0/180,113.5
 — C30/210,111.8
 — C60/240,111.9
 — C90/270,110.3

LS3FL-60W

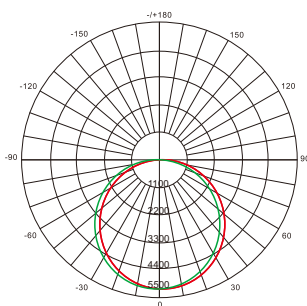


AVERAGE BEAM ANGLE[50%]: 120°

UNIT:CD
 Test Number:LS-FL60W
 Lumens:8100LM
 Test Number:60W
 Test Number:5000K

— C0/180,114.5
 — C30/210,112.2
 — C60/240,111.6
 — C90/270,110.3

LS3FL-80W

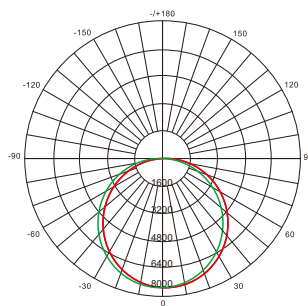


AVERAGE BEAM ANGLE[50%]: 120°

UNIT:CD
 Test Number: LS3FL-80W
 Lumens:10800LM
 Test Number:80W
 Test Number:5000K

— C0/180,112.9
 — C30/210,111.5
 — C60/240,109.7
 — C90/270,110.1

LS3FL-100W

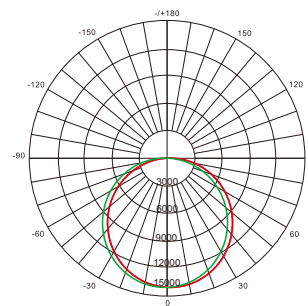


AVERAGE BEAM ANGLE[50%]: 120°

UNIT:CD
 Test Number: LS3FL-100W
 Lumens:13500LM
 Test Number:100W
 Test Number:5000K

— C0/180,113.5
 — C30/210,111.8
 — C60/240,111.9
 — C90/270,110.3

LS3FL-150W

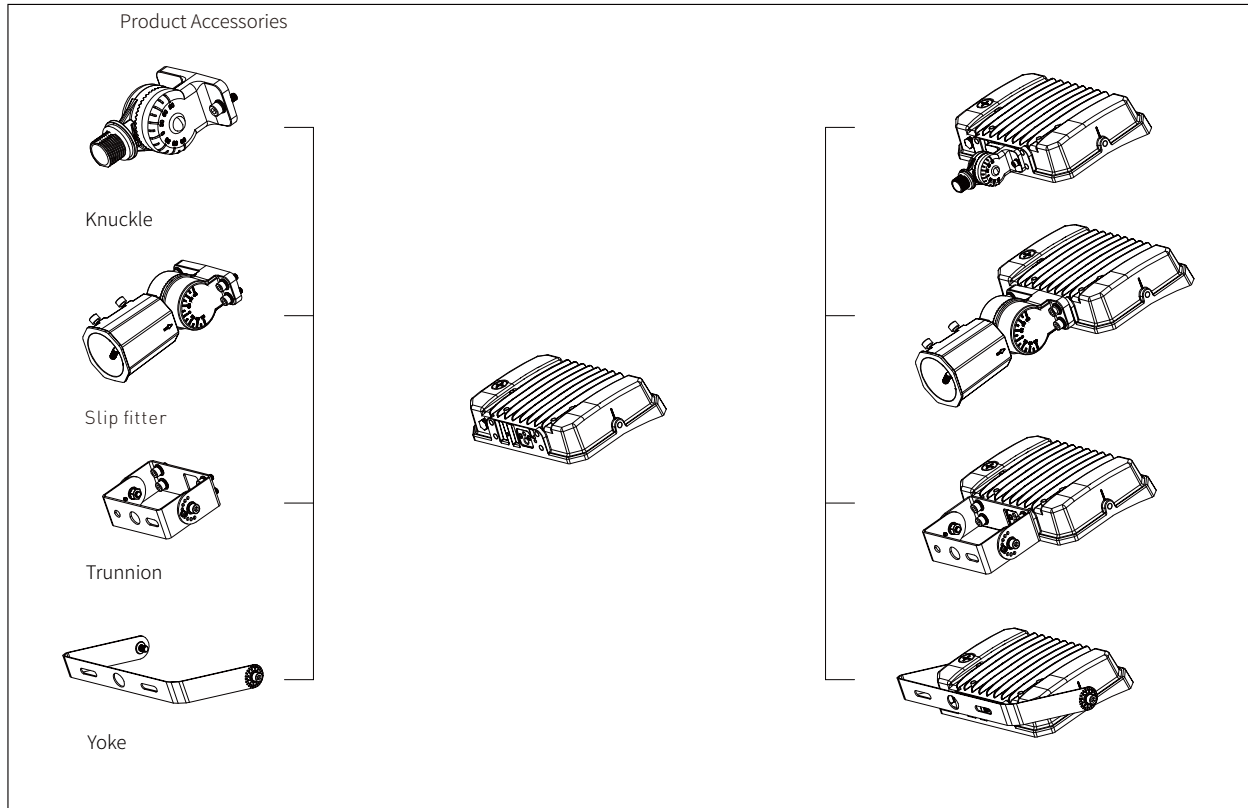


AVERAGE BEAM ANGLE[50%]: 120°

UNIT:CD
 Test Number:LS3FL-150W
 Lumens:20250LM
 Test Number:150W
 Test Number:5000K

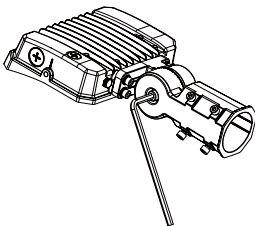
— C0/180,114.5
 — C30/210,112.2
 — C60/240,111.6
 — C90/270,110.3

Installation

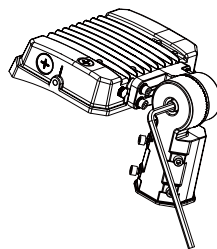


Installation Instruction (Slip-fitter)

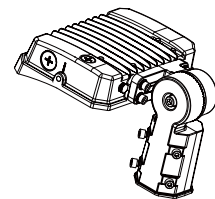
1. Loosen the screw used to fix the upper and the lower mount in rotating shaft by Hexagon wrench.



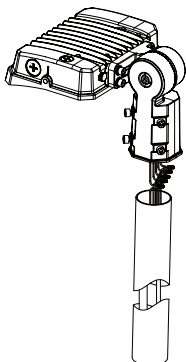
2. Rotate the bracket to proper Angle..



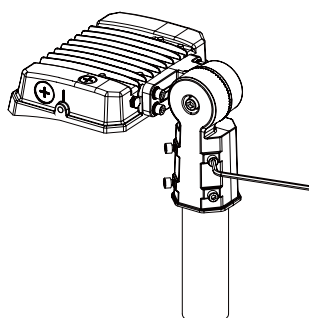
3. Lock the upper and lower brackets by Hexagon wrench.



4. Connect wires.

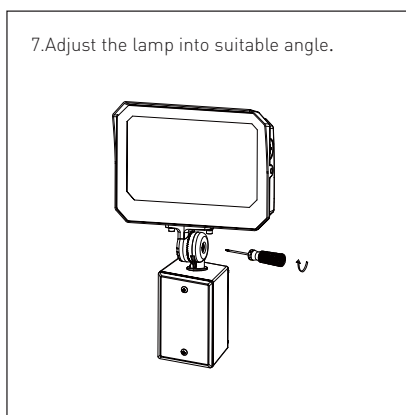
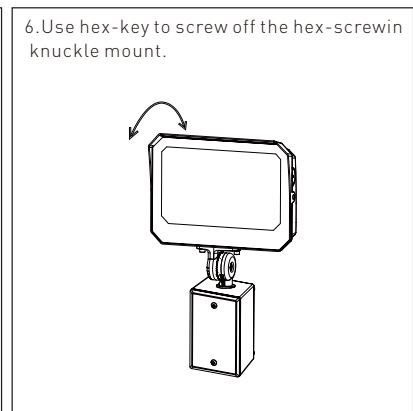
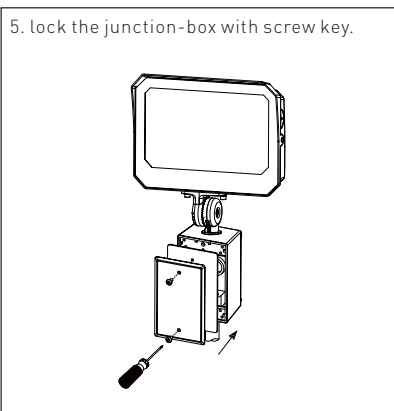
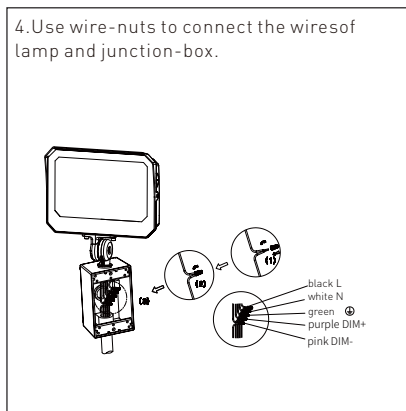
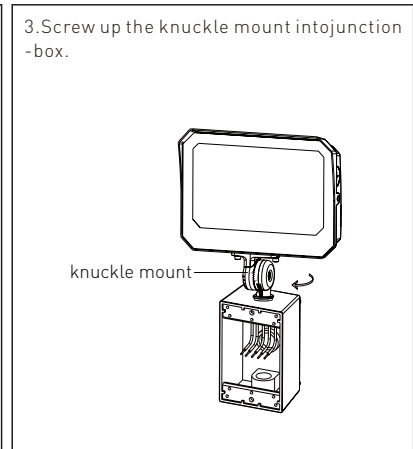
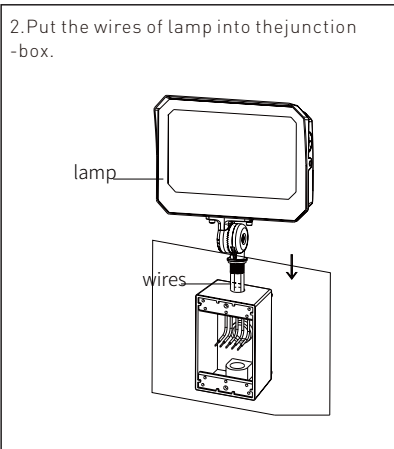
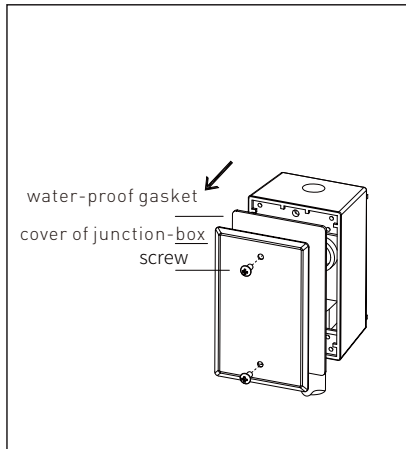


5. Fix the bracket to lamp pole by hexagonal wrench.

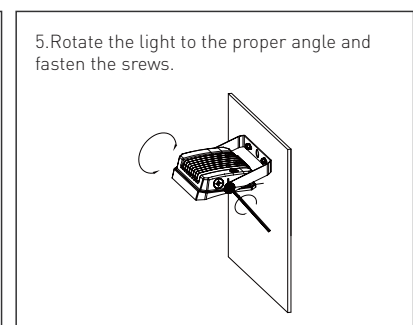
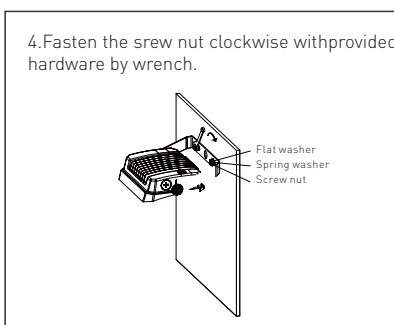
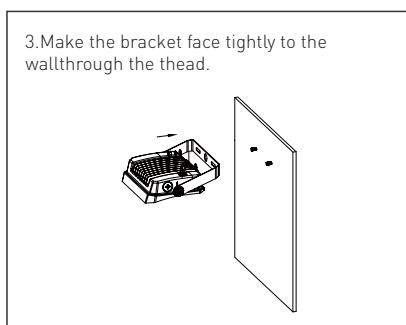
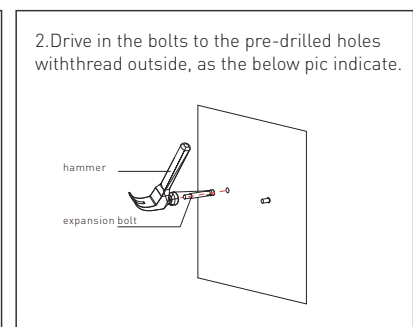
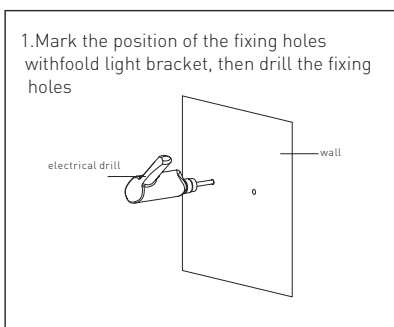


Notice: The maximum diameter of lamp pole is 2.36", lamp adjustable angle is 0-90°

Installation Instruction



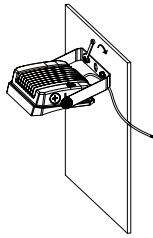
Installation Instruction(Yoke)



6. Fasten the screw both sides with allen driver.

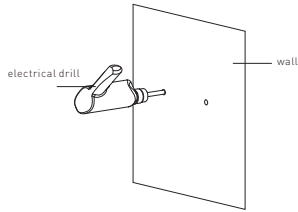


7. Connect wires.

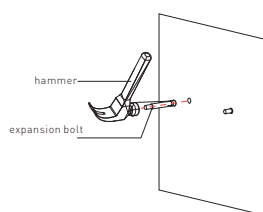


Installation Instruction (Trunnion)

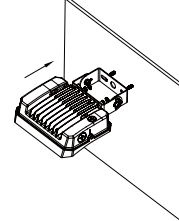
1. Mark the position of the fixing holes with flood light bracket, then drill the fixing holes



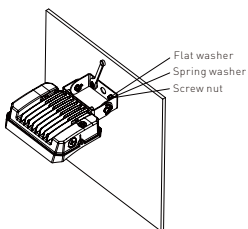
2. Drive in the bolts to the pre-drilled holes with thread outside, as the below pic indicate.



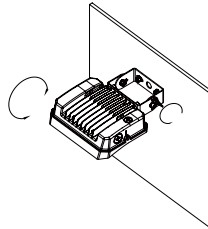
3. Make the bracket face tightly to the wall through the thread.



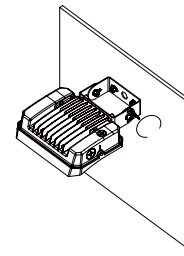
4. Fasten the screw nut clockwise with provided hardware by wrench.



5. Rotate the light to the proper angle and fasten the screws.



6. Fasten the screw both sides with allen driver.



7. Connect wires.

