

# HESTIA

## SOLAR BOLLARD LIGHT

---

bidirectional lighting -  
with microwave sensor -  
IK10 vandal resistant -





# HESTIA

## SOLAR BOLLARD LIGHT

Enhance outdoor spaces with HESTIA Solar Lawn Light, crafted for high-end projects. This luminaire blends advanced solar technology with durability and aesthetics.

HESTIA Solar Lawn Light features a high-efficiency solar panel in a protective housing meeting IK10 standards, ensuring great resilience in upscale environments. With advanced LED technology and precision optics, the HESTIA Solar Lawn Light emits a uniform glow, enhancing upscale settings. Equipped with an integrated microwave sensing module, it offers intelligent functionality, adjusting lighting based on occupancy for enhanced security and energy efficiency.

Ideal for discerning clients and upscale projects, HESTIA Solar Lawn Light sets a new standard in solar-powered outdoor lighting.

## Light Performance

Product name	HESTIA   ASL-2403
Lighting	1.2W 280lm
Light head diameter	275mm
Fixture material	Aluminium die casting + PC
Fixture color	Anthracite grey RAL 7016
CRI	>82
IP & IK rate	IP65 & IK10
CCT range	2200K ~ 6000K
Beam angle	120 degree

## Control System

Control method	Automatic dusk to dawn
Working mode	2H 100%+13H 30% with 100%
Max PV power	15W
Max load power	5W
Sensor type	Microwave sensor
System voltage	3.2V
Detection distance	4~6 meters
Detection angle	360 degree
Working temp.	-15°C~ 70°C

## LifePO4 Battery

Battery type	LiFePO4 32700 6000mA 3.2V
Battery capacity	38.4WH 3.2V
Battery lifetime	6000 cycles @ D.O.D 80%
Charge time	4.5 hours
Discharge time	>36 hours
Working temp.	-15°C~ 70°C
Battery autonomy	3 - 4 days with motion sensor

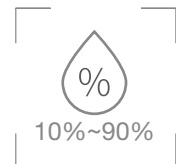
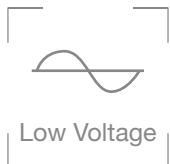
## Physical & Package

Model number	AI-GL275R
Light dimension	φ275 * H900mm
Light head package	280*280*220mm
Pillar package	115*115*690mm
N.W / G.W ( one set)	5.70KG / 6.40KG

## Solar Panel

Peak Power	6.2W
Rated Voltage	5V
Cell Type	MONO crystallinesilicion
Cell Efficiency (%)	>22.5%
Lifetime	>20 years

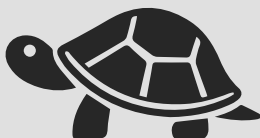
Remark : CCT of 3000 K or lower is required for IDA certification compliance.



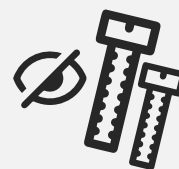
## Product Feature



IK10 vandal resistant  
for outdoor lighting



Wild animals friendly  
without lighting pollution



Hidden base with inner screw  
more elegant & neat finishing



36 hours backup  
with fully charged battery



LED power is automatically  
adjusted to save energy.



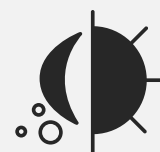
High luminous flux output  
up to 280lm performance



LiFePO4 battery inside  
more than 10 years lifetime

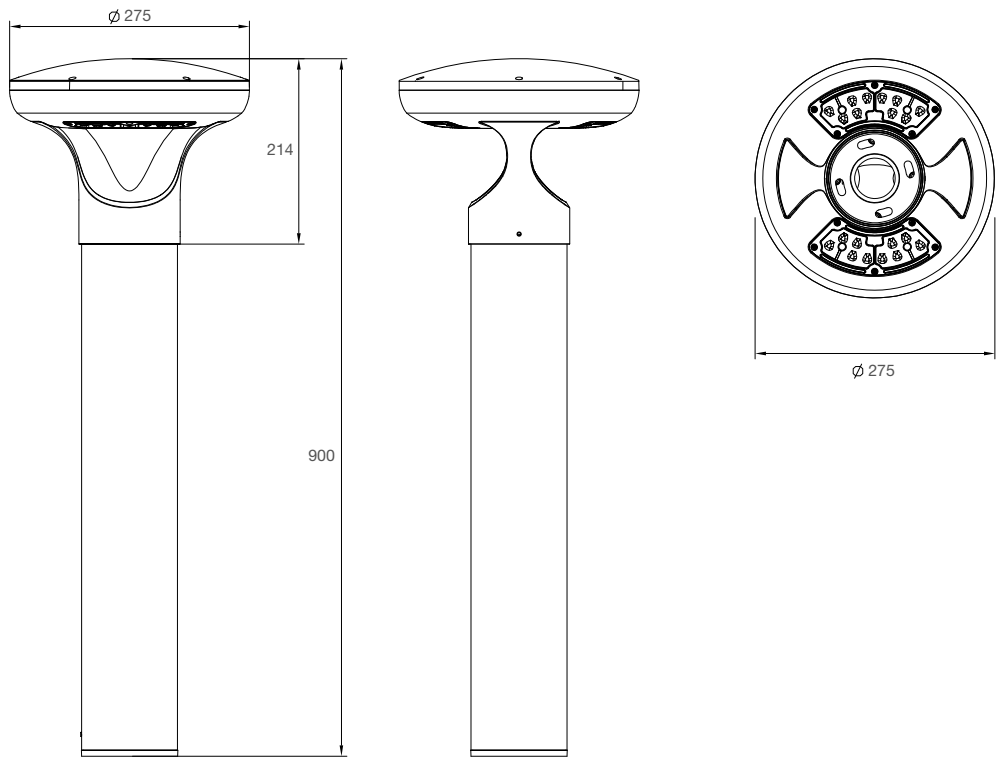


Equipped PIR motion  
sensor to save energy



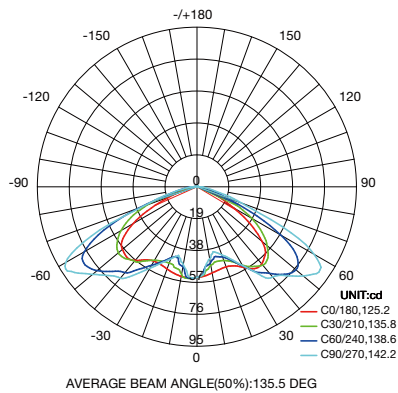
ON - OFF  
Dusk to Dawn  
automatically ON/OFF

# Product Dimension



# Lighting Photometric

INTENSITY DISTRIBUTION DIAGRAM IN C PLANS



MAX INTENSITY CONE SURFACE DISTRIBUTION DIAGRAM

