



8FT VAPOR TIGHT LED



Watts&CCT tunable



Date:..... Location: .....

Product:..... Project:.....

Quantity:..... Catalog# .....

## FEATURES

- 8FT 60/70/80W Tunable, 30/40/50K Selectable.
- Designed to last and withstand even the toughest environments.
- Dust-tight and can be installed in any wet location. IP65 rated
- Easy installation and maintenance
- DLC LISTED. 50,000 hours lifetime

## SUITABLE APPLICATIONS

- Airport, Train station, Subway, Parking lot
- Factory, Workshops, Production line, Warehouse
- Tunnel, Basement, Storage, Roads etc

## CONSTRUCTION:

Extruded opal prismatic material with UV protection  
End Caps:white PC material

## ELECTRICAL:

Available as 100-277V input. -22°F to104°F.

## OPTICAL SYSTEM:

High brightness SMD LED chips. High quality polycarbonate optic lense.110° beam angle.

## INSTALLATION&MOUNTING:

Hanging mount or ceiling Mount with quick mount back plate for easy installation.

## WARRANTY:

5-year limited warranty. Actual performance may differ as a result of end-user environment and application.

## PERFORMANCE

Model NO	SIZE	Wattage	Voltage	Light Efficiency	Kelvin Options
VP-80A-HV-3CKFD	8FT	60/70/80W	100-277V	130LM/W	3000K/4000K/5000K

## Electric Characteristic

Model NO	Certificate	Input power	Lumen output	Efficiency	CRI	Color Temperature	lamp efficiency	Equivalent
VP-80A-HV-3CKFD	ETL CETL DLC	60/70/80W	MAX 10400LM	130LM/W	>80	3000-5000K	≥90%	160-300WMH/HP S

## OPTIONAL ACCESSORIES



Emergency Battery Backup



Fast Connection

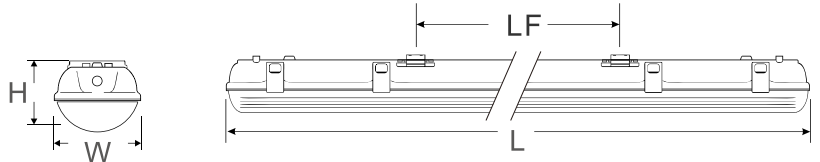
3000K 4000K 5000K 60W 70W 80W



CCT Tunable 3000K 4000K 5000K

Power Tunable 60W 70W 80W

## Electric Characteristic

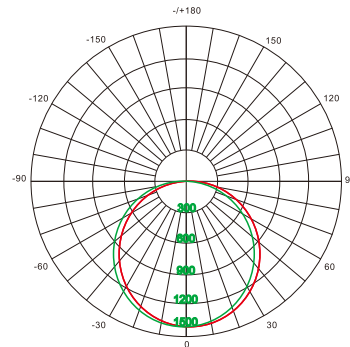


LF	L	W	H
11.8-13"	94.5"	4.33"	3.46"

## WARNING

1. The installation and maintenance must be completed by electricians or professionals.
2. Please cut off the power before installation and maintenance.
3. The thermally insulating material is not allowed to cover the fixture.
4. Please keep away from the corrosive substance, and keep the fixture dry and clean.
5. Working temperature: -4°F~104°F, storage temperature: -22°F~140°F.

## DISTRIBUTION DIAGRAM



AVERAGE BEAM ANGLE(50%): 113°

UNIT:CD  
 Test Number:VP-80A-HV-3CKFD — C0/180,110.9  
 Lumens:7800LM 9100LM 10400LM — C30/210,110.5  
 Test Number:60W 70W 80W — C60/240,109.3  
 Test Number:5000K — C90/270,109.1

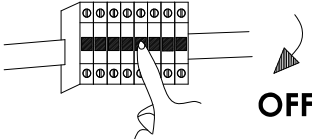
## PACKAGE/WEIGHT

Model No	Size	Master Carton Size	Qty/Carton	Weight
		(LxWxH)		(KG) /(LBS)
VP-80A-HV-3CKFD	8FT	97.63"×7.87"×5.51"	2	10.6KG/23.37lbs

## Installation Manual

**step1**


Turn off the switch



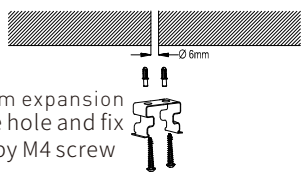
**OFF**

**step2**

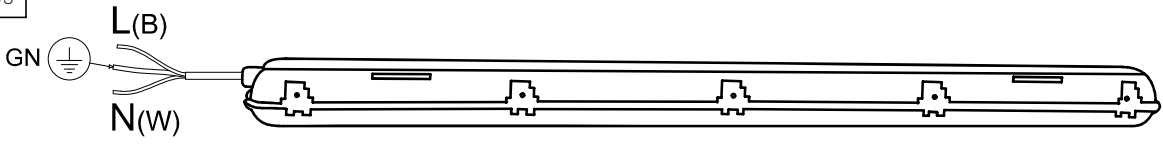
① Drill  $\phi$  6mm holes on the roof/wall



② Insert  $\phi$  6mm expansion pipe into the hole and fix the bracket by M4 screw



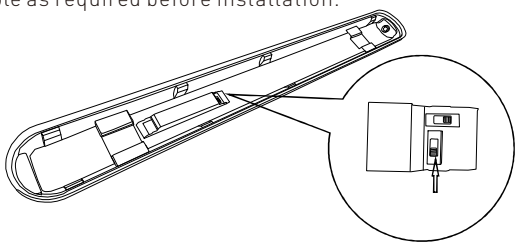
**step3**



L(B)  
GN  
N(W)

Outlet box  
Connect the wire in the outlet box.

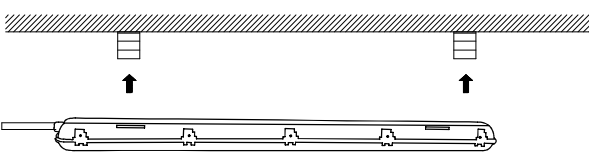
**step4** Watts & CCT options Switchable as required before installation.



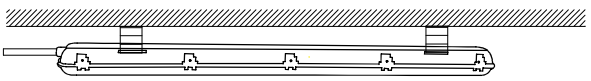
Watts&CCT tunable

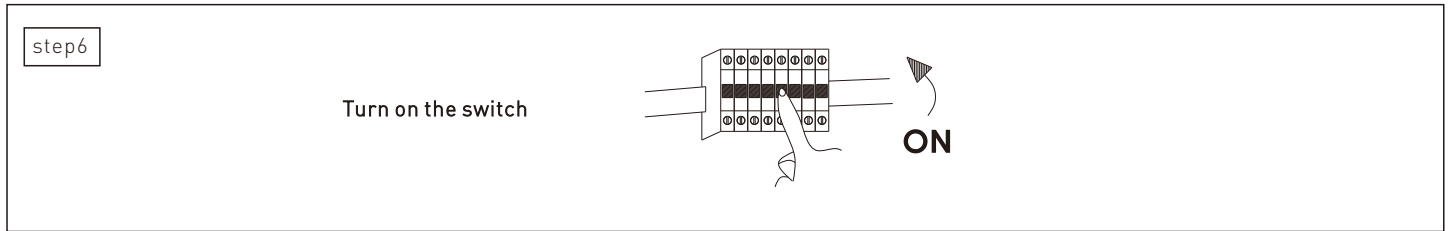
**step5**

① Ceiling Installation



② The final appearance





**Caution:** Please note that DO NOT use this product in the following places/application

1. The place has a large quantity of mold, dust and smoke, such as: kitchen and Food processing factory etc
2. The place has a large quantity of chemical corrosive substance, such as: chemical and stockyard etc.
3. The place has poor temperature conditions, large-scale temperature variation, which would easily lead to broken and damage the product, the applicable operating temperature is between -15 and 45 degrees

**ATTENTION:** à noter qu'il ne faut pas utiliser le produit dans les endroits suivants

1. Dans un lieu avec une grande quantité de fumé, par exemple: cuisine, une usine de transformation alimentaire etc.
2. Dans un endroit avec une grande quantité de substance corrosive chimique tels qu'une: usine de produits chimiques, parc de stockage, etc
3. Dans des lieux froids ou à variations de température à grande échelle, qui pourrait facilement mener à casser et/ou endommager le produit. La température de fonctionnement applicable au produit est comprise entre -15 et 45 degrés.