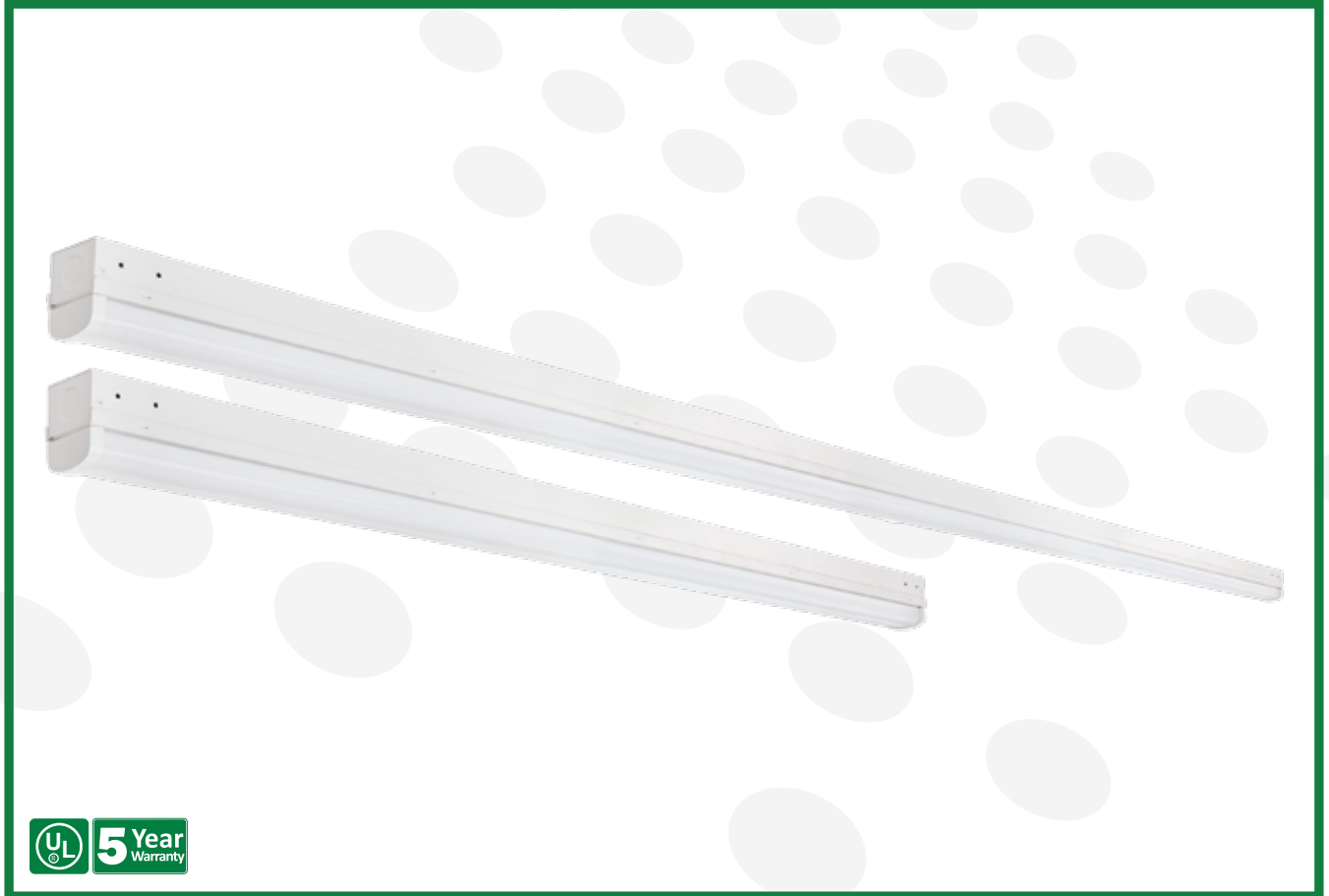




BROOKS™

LED Strip Fixtures



Beyond LED BROOKS Strip Fixtures perform efficiently in conditions where low voltage, halogen, or fluorescent luminaires have traditionally been used. Our LED BROOKS Strip Fixtures incorporate integral drivers, are self-supporting and can be surface mounted. Individual units can be plugged together for continuous lengths up to 20 Pcs (4') and they're CCT Adjustable and Wattage Adjustable. Our LED BROOKS Strip Fixtures Lamps connect directly to line voltage and can be used in any interior space.

Product Features

- Efficacy up to 130 Lumens per watt
- Wattage adjustable
- CCT Adjustable 3500K / 4000K / 5000K
- Input Voltage 120-277Vac 50-60Hz
- Usable as a stand alone fixture
- 4' Linkable up to 20 Pcs
- 8' Linkable up to 10 Pcs
- Operates directly from line voltage
- Output constant current lever can be adjusted through output cable with 0-10V
- Optional Surface mounting bracket for easy installation
- Optional hanging kit available
- Iron housing with white paint finish
- Input Voltage 120-277Vac
- UL & DLC Listed
- 5 Year warranty

BROOKS™

LED Strip Fixtures



SKU #	Model #	Wattage Adjustable	Lumens	CCT Adjustable	Size	Emergency Battery Backup	Certifications
156737	MRS4-20/30/40/D10/ U/35-40-50	20W/30W/40W	5200Lm	3500K/4K/5K	4'	N/A	UL & DLC
156738	MRS8-40/60/80/D10/ U/35-40-50	40W/60W/80W	10400Lm	3500K/4K/5K	8'	N/A	UL & DLC
156742	MRS4-20/30/40/D10/ U/35-40-50/EM	20W/30W/40W	5200Lm	3500K/4K/5K	4'	8W Built-In	UL & DLC
156741	MRS8-40/60/80-D10/ U/35-40/50/EM	40W/60W/80W	10400Lm	3500K/4K/5K	8'	8W Built-In	UL & DLC

SKU: 156737 - 156742 Specifications

Parameter	Description	Value
General Performance	Wattage Adjustable	20W / 30W / 40W
	Color Temperature	3500K / 4000K / 5000K
	Lumens	Up to 5200LM
	Lumen Efficacy	Up to 130LM/W
	CRI (Ra)	>80
	Beam Angle	120° Degree
Electrical	Input Voltage	120-277V
	Frequency	50/60Hz
	Dimming	0-10V Dimmable
	PF	>0.9
	THD	<20
	Flicker Percent	Non-Flicker
	Driver Brand	Beyond
Driver Model	SDU40CS090V42DN3A	
Physical	Operating Temperature	-20°C-40°C
	Storage Temperature	-25°C-80°C
	Storage Humidity	5%RH Min; 95H Max
	LED Brand	Lumileds
	LED Type	2835
	LEDs QTY	280 Pcs
	Housing	Metal
	Housing Color	White
Qualification	IP Rating	IP20
	Warranty	5 Years



BROOKS™

LED Strip Fixtures

SKU: 156738 - 156741

Specifications

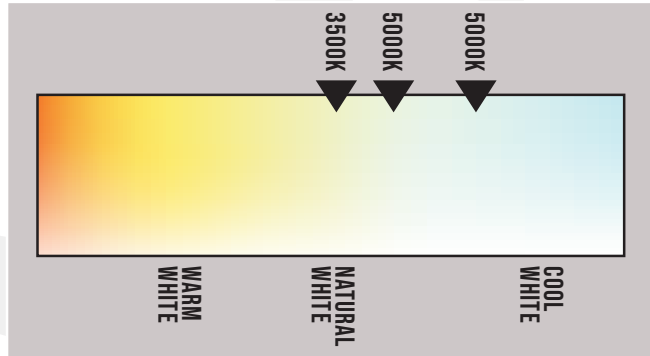
Parameter	Description	Value
General Performance	Wattage Adjustable	40W / 60W / 80W
	Color Temperature	3500K / 4000K / 5000K
	Lumens	Up to 10400LM
	Lumen Efficacy	Up to 130LM/W
	CRI (Ra)	>80
	Beam Angle	120° Degree
Electrical	Input Voltage	120-277V
	Frequency	50/60Hz
	Dimming	0-10V Dimmable
	PF	>0.9
	THD	<20
	Flicker Percent	Non-Flicker
	Driver Brand	Beyond
	Driver Model	SDU80CS180V42DL3A
Physical	Operating Temperature	-20°C-40°C
	Storage Temperature	-25°C-80°C
	Storage Humidity	5%RH Min; 95H Max
	LED Brand	Lumileds
	LED Type	2835
	LEDs QTY	560 Pcs
	Housing	Metal
Housing Color	White	
Qualification	IP Rating	IP20
	Warranty	5 Years

BROOKS™

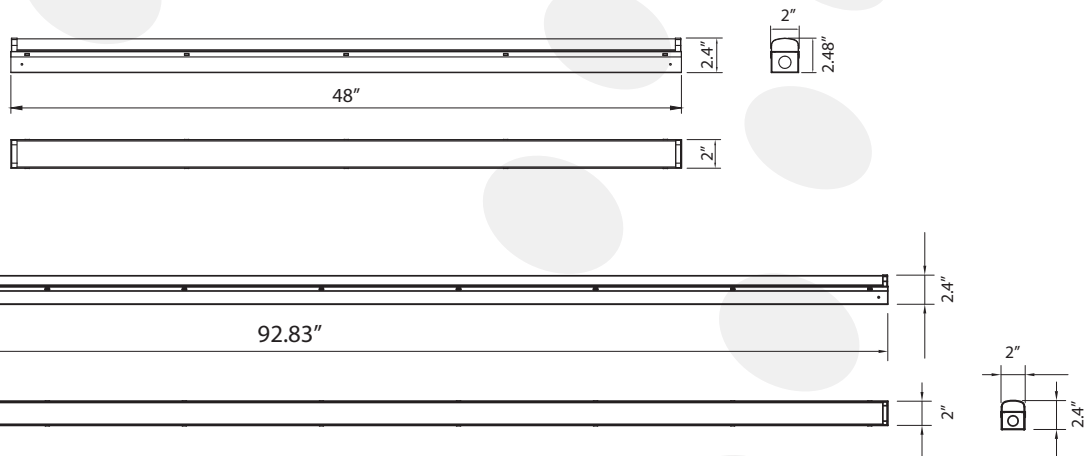
LED Strip Fixtures



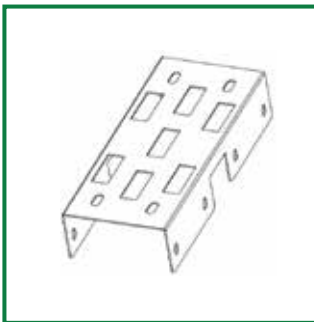
Correlated Color Temperature (CCT)



Dimensions



Accessories



Joiner Bracket
(Optional)



Aircraft cable &
Chain



Motion Sensor
(Optional)



LED Emergency
Driver



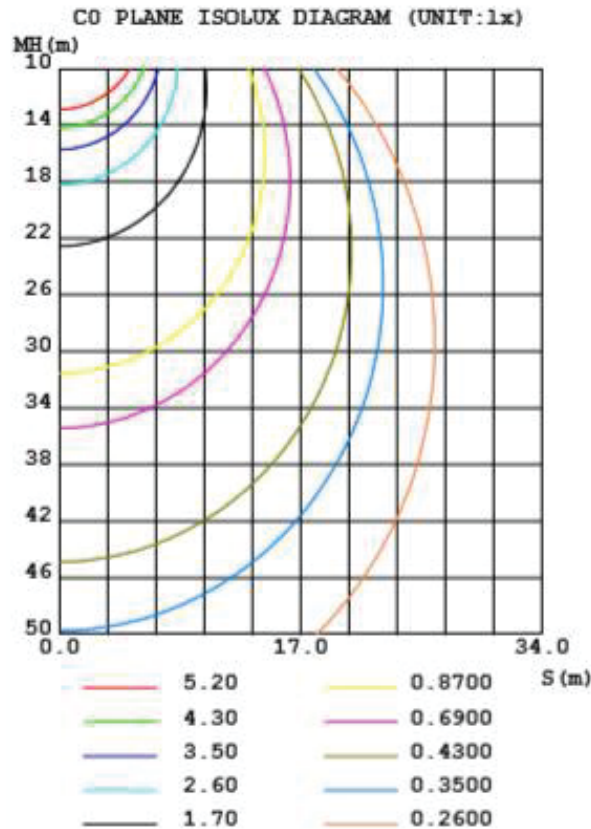
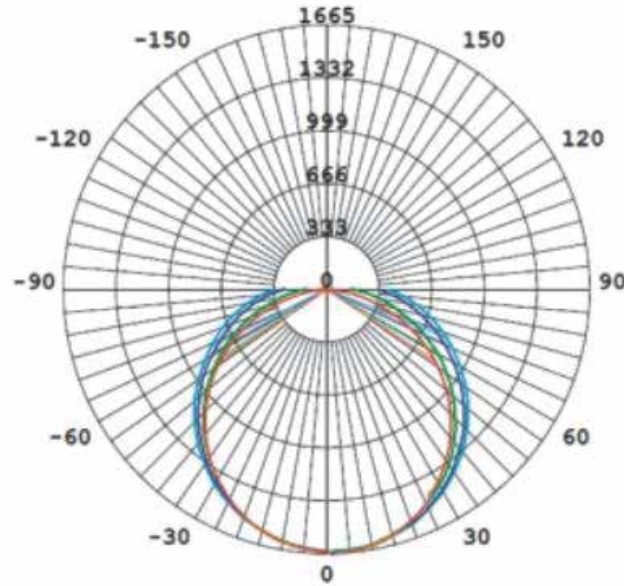
BROOKS™

LED Strip Fixtures

SKU: 156737 & 156738

Photometric Data

LED STRIP FIXTURES



BROOKS™

LED Strip Fixtures



Installation

IMPORTANT
READ INSTRUCTIONS CAREFULLY BEFORE INSTALLING.
KEEP THESE INSTRUCTIONS FOR FUTURE REFERENCE.

IMPORTANT SAFETY INFORMATION:

- Turn off electrical power at fuse or circuit breaker box before wiring fixture to the power supply.
- Turn off the power when you perform any maintenance.
- Verify that supply voltage is correct by comparing it with the luminaire label information.
- Make all electrical and grounded connections in accordance with the National Electrical Code and any applicable local code requirements.
- All wiring connections should be capped with UL approved wire connectors.
- MIN 90 °C SUPPLY CONDUCTORS .

CAUTION: This luminaire must be wired in accordance with the National Electric Code and applicable local codes and ordinances. Proper grounding is required for safety.

CAUTION: Installation and servicing of this luminaire should be performed by qualified personnel only.

CAUTION: This fixture is designed for permanent installation in ordinary (Non-Hazardous) locations in accordance with the National Electrical Code and all applicable local codes. Do not use in areas of limited ventilation or in high ambient enclosures. The lamp and fixture operate at high temperatures. Contact with combustible materials can cause fire and personal contact can cause severe burns.

General Notes

Many luminaire components, such as reflectors, refractors, lenses, sockets, lamp holders, and LEDs are made from various types of plastics which can be adversely affected by airborne contaminants. If sulfur based chemicals, petroleum based products, cleaning solutions, or other contaminants are expected in the intended area of use, consult factory for compatibility.

Cleaning and Maintenance:

Caution: Do not clean or maintain while the luminaire is energized. Check that the luminaire temperature is cool enough to touch. Periodically check and remove any accumulated dirt or debris around luminaire. Do not touch Leds.

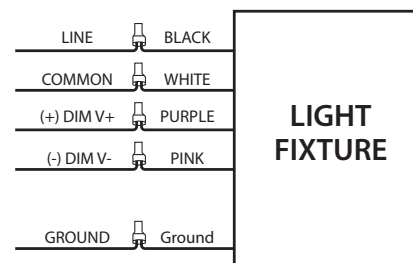
General Wiring Diagram

Caution: All units must be individually connected to the AC Supply.

Select appropriate access point for your installation, remove knockout and feed power leads through hole. Connect the supply wire from the source to the driver.

Black= Line White= Neutral Green= Ground

**Consult with dimmer control manufacturer' s wiring instructions.





BROOKS™

LED Strip Fixtures

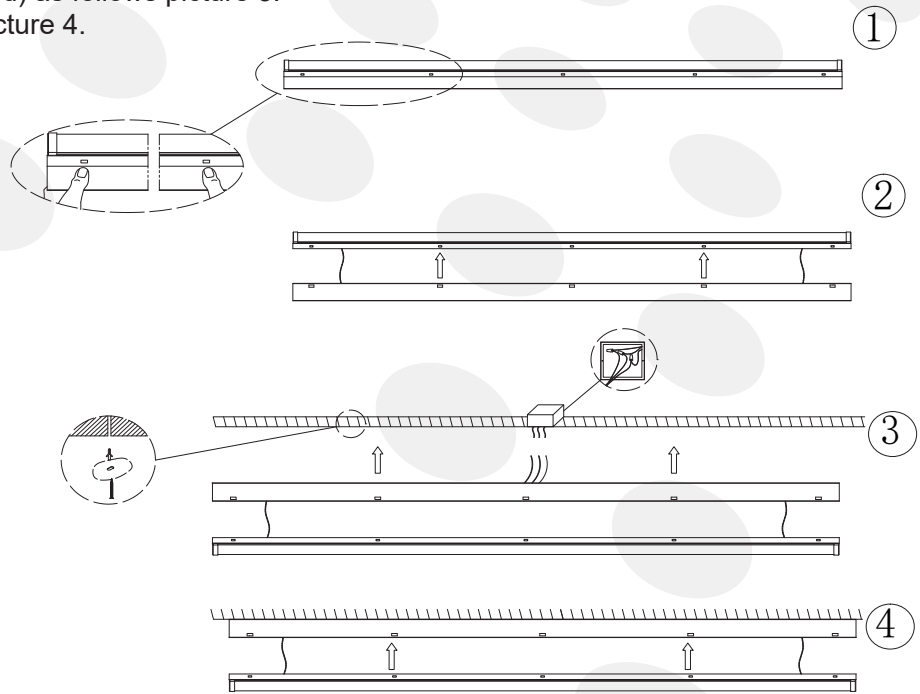
Installation

Mounting Instructions

A: Surface Mounting

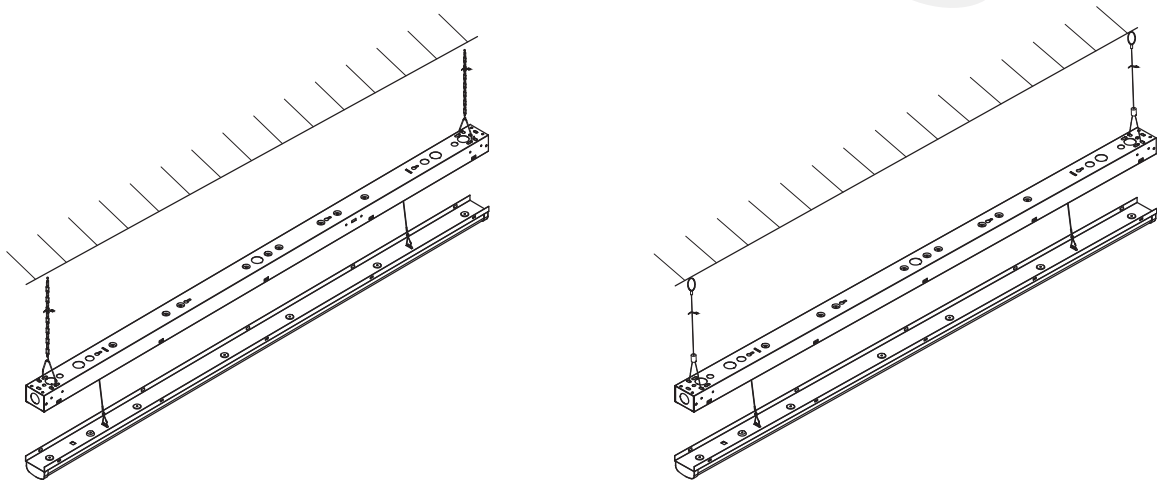
Before installation, ensure if power supply is disconnected. Cables must be connected in accordance to instruction and proper standing rules.

1. Press the housing on the hole position to open the lens, please see below picture 1 & 2.
2. Use the luminaire as a template by placing it on the junction box and marking in the four hole position. Put the luminaire aside and drill the four holes. Insert an anchoring bolt (not included) into each hole.
3. Secure the luminaire into place with the help of mounting screws (not included) making sure to pass the junction box cables into the luminaire housing. Connect luminaire wires to junction box wires (wire connectors not included) as follows picture 3.
4. Cover the lens, see picture 4.



Mounting Instructions

B: Suspending Mounting (V-hook and chain and aircraft cable not be included)



BROOKS™

LED Strip Fixtures



Packaging

SKU #	Box Size (Inches)	Size	Qty/Box	Emergency Battery Backup	Net Weight	Gross Weight
156737	49.6 x 7.5 x 9	4FT	9 Pcs/Box	-	29.04 LBS	33.52 LBS
156738	94.17 x 5.04 x 5.00	8FT	4 Pcs	-	26.45 LBS	31.97 LBS
156742	49.6 x 7.5 x 9	4FT	9 Pcs/Box	With Battery Backup	24.64 LBS	35.72 LBS
156741	94.17 x 5.04 x 5.00	8FT	4 Pcs	With Battery Backup	30.86 LBS	36.38 LBS

Application Images



LED STRIP FIXTURES



BROOKS™

LED Strip Fixtures

Application Images



Warranty

5 Years Warranty