



FLOW™

LED Back-lit Panel



Beyond LED FLOW Backlit panels are ultra thin, super bright which offers uniform illumination and excellent energy savings. Our FLOW panels deliver soft, glare-free, ambient lighting in a popular backlit design. FLOW is available in 4 Adjustable wattages and 3 Adjustable CCT. The slim profile and energy-saving LED technology makes the FLOW the ideal choice for renovation or new construction. It is also suitable for use in commercial buildings, libraries, hospitals etc.

Product Features

- Available in 2x2 & 2x4
- Up to 125 Lumens per watt
- 4 Adjustable wattages
- 3 Adjustable CCT 4000K/5000K/6500K
- Dimmable 0-10V
- Aluminum housing
- Super slim design with durable construction
- Built-in standard earthquake clips
- Input Voltage 120-277Vac
- UL & DLC Listed
- 5 Year warranty

FLOW™

LED Back-lit Panel



SKU #	Model #	Wattage Adjustable	Lumens	CCT Adjustable	Size	Input Voltage	Certifications
156709	BPLED-2x2-24W/29W/32W/39W/D10/U/40-50-65/HL	24W/29W/32W/39W	Max 4875Lm	4000K/5000K/6500K	2'X2'	120-277Vac	UL & DLC
156710	BPLED-2x4-29W/34W/39W/49W/D10/U/40-50-65/HL	29W/34W/39W/49W	Max 6125Lm	4000K/5000K/6500K	2'X4'	120-277Vac	UL & DLC
156774	BLT-BPLED-2x4-40/50/60/70/D10/U/40-50-65/HL	40W/50W/60W/70W	Max 8750Lm	4000K/5000K/6500K	2'X4'	120-277Vac	UL & DLC

SKU Number 156709 Specifications

Parameter	Description	Value
General Performance	Model #	BPLED-2x2-24W/29W/32W/39W/D10/U/40-50-65/HL
	Wattage Adjustable	24W / 29W / 32W / 39W
	Lumen	Up to 4875LM
	Lumen Efficacy	Up to 125LM/W
	Color Temperature	4000K / 5000K / 6500K
	CRI (Ra)	>80
	Beam Angle	120° Degree
	Diffuser Type	PS
Electrical	Input Voltage	120-277Vac
	Frequency	50/60Hz
	Dimming	0-10V Dimmable
	Power Factor	>0.9
	Flicker Percent	<30%
	Driver Brand	Beyond
Physical	Driver Model	SDU42CS102V42DN3C
	Operating Temperature	-25°C-40°C
	Operating Humidity	10%RH Min; 93% RH Max
	Storage Humidity	5%RH Min; 95% RH Max
	Storage Temperature	40° Degree
	LED Brand	Lumileds
	LED Type	2835
LED QTY	72 Pcs	
Qualification	Housing Color	White
	IP Rating	IP20
	Warranty	5 Year warranty



FLOW™

LED Back-lit Panel

SKU Number 156710

Specifications

Parameter	Description	Value
General Performance	Model #	BPLED-2x4-29W/34W/39W/49W/D10/U/40-50-65/HL
	Wattage Adjustable	29W / 34W / 39W / 49W
	Lumen	Up to 6125LM
	Lumen Efficacy	Up to 125LM/W
	Color Temperature	4000K / 5000K / 6500K
	CRI (Ra)	>80
	Beam Angle	120° Degree
	Diffuser Type	PS
Electrical	Input Voltage	120-277Vac
	Frequency	50/60Hz
	Dimming	0-10V Dimmable
	Power Factor	>0.9
	Flicker Percent	<30%
	Driver Brand	Beyond
Physical	Driver Model	SDU46CS103V45DN3C
	Operating Temperature	-25°C-40°C
	Operating Humidity	10%RH Min; 93% RH Max
	Storage Humidity	5%RH Min; 95% RH Max
	Storage Temperature	40° Degree
	LED Brand	Lumileds
	LED Type	2835
	LED QTY	180 Pcs
Qualification	Housing Color	White
	IP Rating	IP20
	Warranty	5 Year warranty



FLOW™

LED Back-lit Panel



SKU Number 156774

Specifications

Parameter	Description	Value
General Performance	Model #	BLT-BPLED-2x4-40/50/60/70/D10/U/40-50-65/HL
	Wattage Adjustable	40W / 50W / 60W / 70W
	Lumen	Up to 8750LM
	Lumen Efficacy	Up to 125LM/W
	Color Temperature	4000K / 5000K / 6500K
	CRI (Ra)	>80
	Beam Angle	120° Degree
	Diffuser Type	PS
Electrical	Input Voltage	120-277Vac
	Frequency	50/60Hz
	Dimming	0-10V Dimmable
	Power Factor	>0.9
	Flicker Percent	<30%
	Driver Brand	Beyond
Physical	Driver Model	SDU46CS103V45DN3C
	Operating Temperature	-25°C-40°C
	Operating Humidity	10%RH Min; 93% RH Max
	Storage Humidity	5%RH Min; 95% RH Max
	Storage Temperature	40° Degree
	LED Brand	Lumileds
	LED Type	2835
LED QTY	180 Pcs	
Qualification	Housing Color	White
	IP Rating	IP20
	Warranty	5 Year warranty

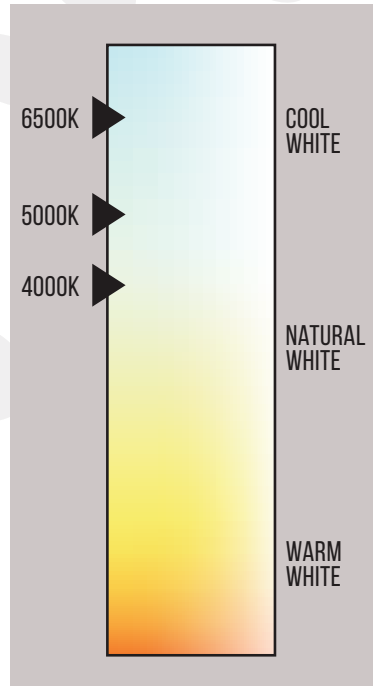
LED BACK-LIT PANEL



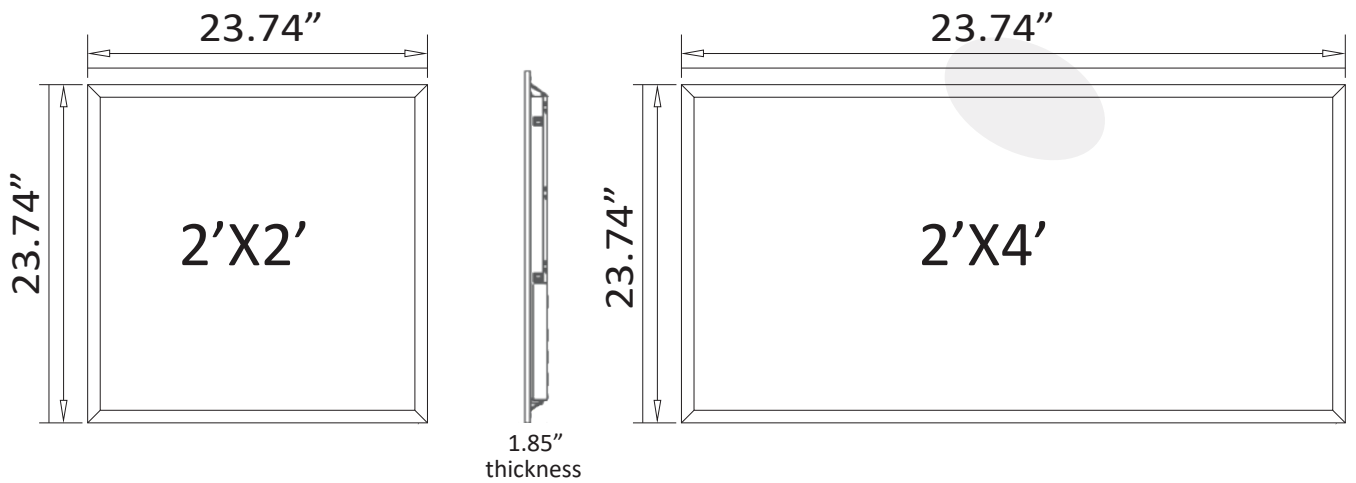
FLOW™

LED Back-lit Panel

Correlated Color Temperature (CCT)



Dimensions



FLOW™

LED Back-lit Panel



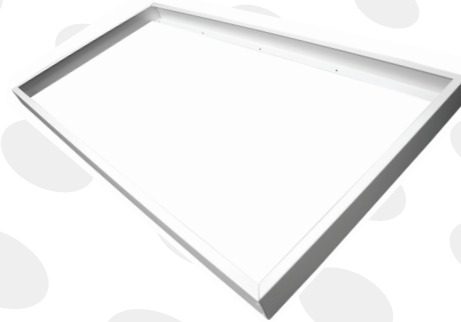
Accessories

2'x2'



Surface Mounting Kit
SKU: 153484

2'x4'



Surface Mounting Kit
SKU: 151729



Hanging Mounting Kit
SKU: 153457

LED BACK-LIT PANEL

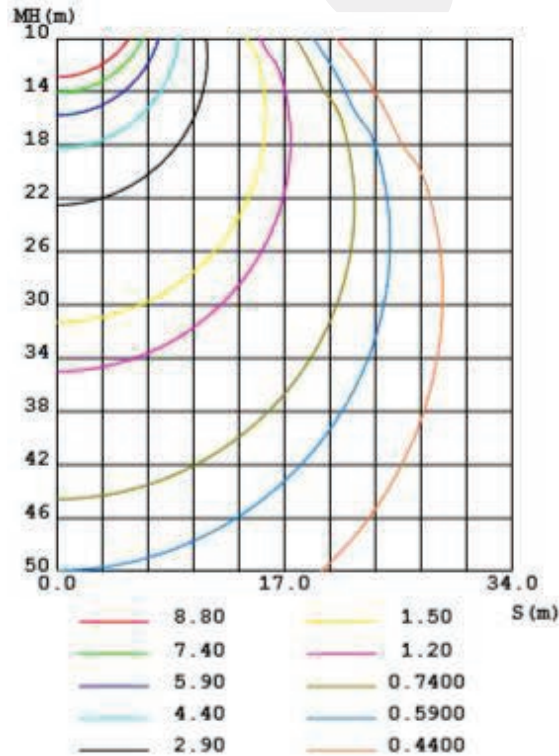
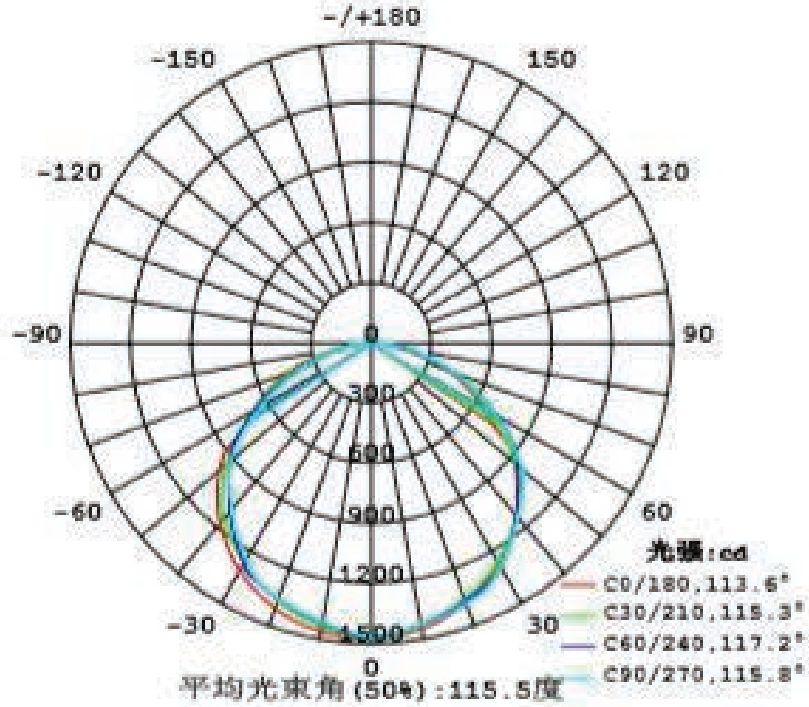


FLOW™

LED Back-lit Panel

SKU: 156709

Photometric Data



LED BACK-LIT PANEL

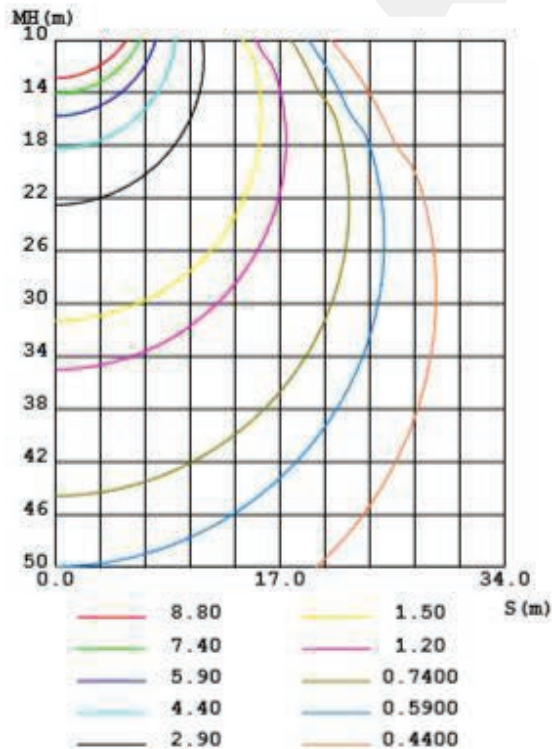
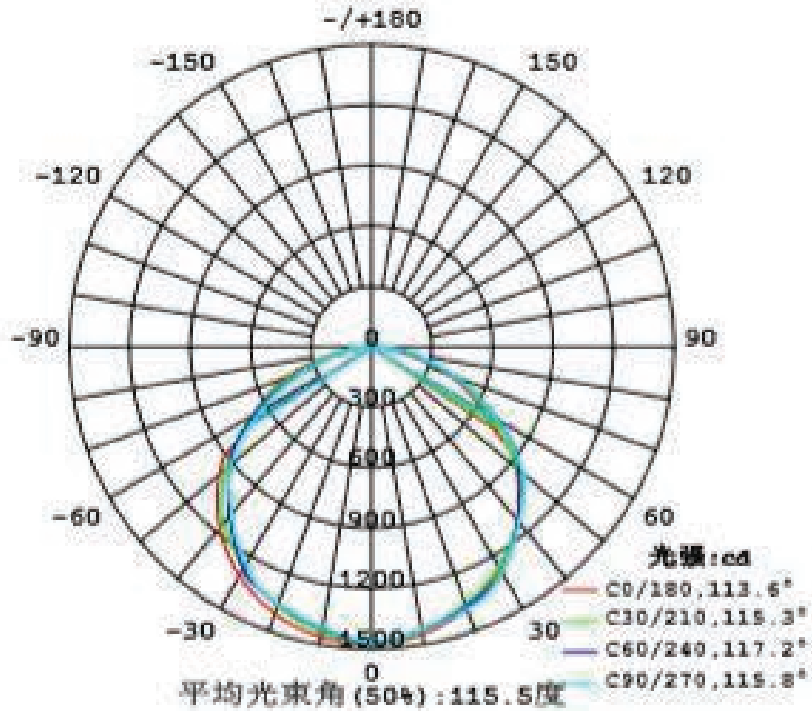
FLOW™

LED Back-lit Panel



SKU: 156710

Photometric Data



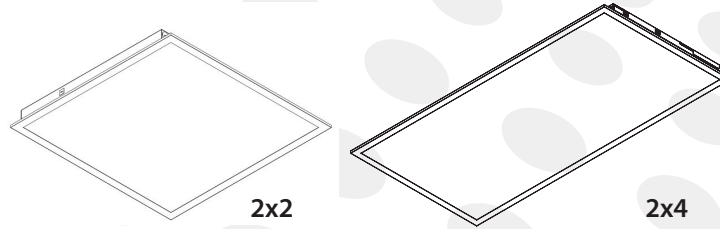
LED BACK-LIT PANEL



FLOW™

LED Back-lit Panel

Installation



WARNING

RISK OF FIRE OR ELECTRIC SHOCK

The BFPL LED Panel Light must be installed by a qualified electrician in accordance with applicable federal, state, and local laws and codes. Installation requires knowledge of luminaire electrical systems and installer should be familiar with the operation of this product. If not qualified, do not attempt installation; contact a qualified electrician. Manufacturer assumes no responsibility for the improper installation of this luminaire. When installing the fixture, drilling may damage luminaire wiring and electrical parts. Check for wiring and components in enclosure before drilling. Before installation or maintenance, please disconnect the power to prevent electric shock.

WARNING

To prevent wiring damage or abrasion, do not expose wiring to edges of sheet metal or other sharp objects. When installing this kit, drilling may damage luminaire wiring and electrical parts. Check for wiring and components in enclosure before drilling.

CAUTION

RISK OF PERSONAL INJURY

- Wear gloves or proper handling protection to prevent cuts or abrasions when handling and maintaining this product. This equipment may have sharp edges. To reduce the risk of death, personal injury or property damage from fire, electric shock, falling parts, cuts/abrasions, and other hazards read all warning and instructions included with and on the fixture box and all fixture labels.
- Avoid direct eye exposure to the light source while it is on.

WARNING

RISK OF PERSONAL INJURY, FIRE OR ELECTRIC SHOCK

Turn OFF power before installation.

NOTICE

- Green ground screw provided in proper location. Do not relocate.
- Minimum 90° supply conductors.
- Specifications and dimensions subject to change without notice.
- Please keep the LED Panel away from any corrosive substance, and please use dry cloth when you clean it.
- Suitable for Dry or Damp location only.

Contact manufacturer with any questions or concerns regarding installation of this luminaire.

These instructions do not cover all details or variations in equipment nor do they provide for every possible situation during installation, operation or maintenance.

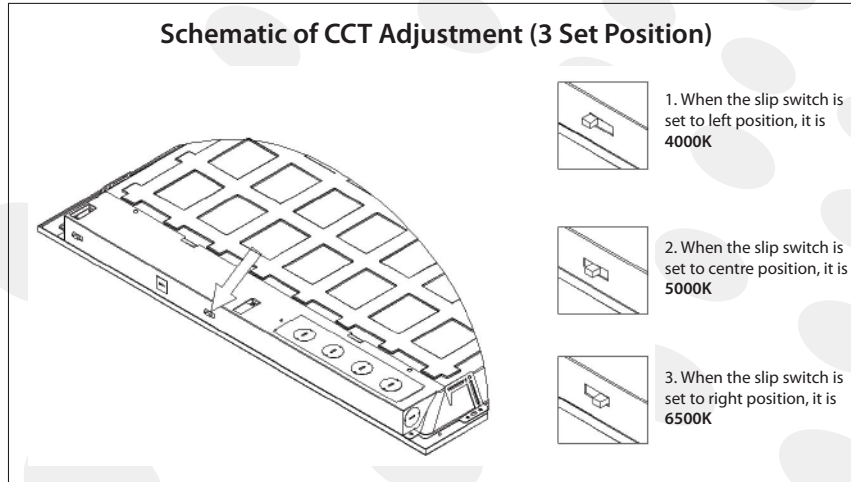
FLOW™

LED Back-lit Panel



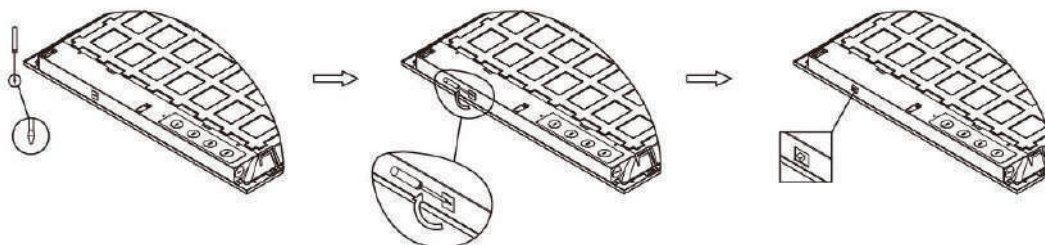
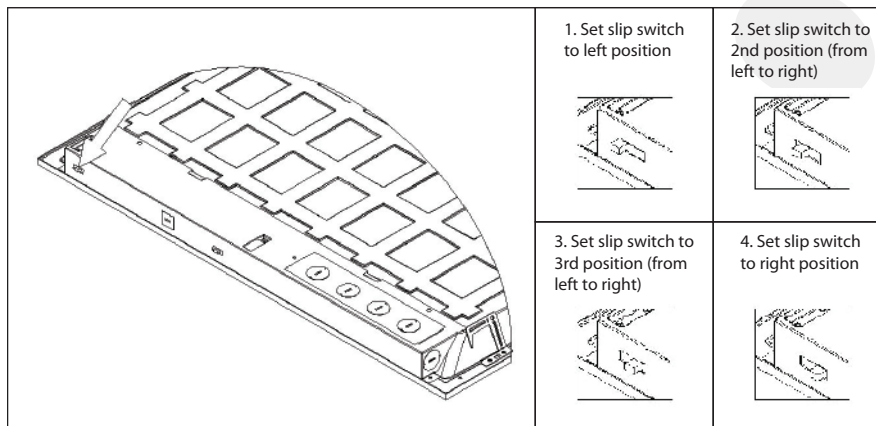
Installation

1. Schematic of CCT Adjustment (3 Set Position)



2. Schematic of Wattage Adjustment (4 Set Position)

Schematic of Wattage Adjustment (4 Set Position) for the retrofit				
Item	Left Position	2nd Position (from left to right)	3rd Position (from left to right)	Right Position
2x2 / 1x4	24W	29W	32W	39W
2x4	29W	34W	39W	49W



These instructions do not cover all details or variations in equipment nor do they provide for every possible situation during installation, operation or maintenance.



FLOW™

LED Back-lit Panel

Installation

Recessed Installation Steps:

Suitable for 9/16" or 15/16" Flat T-Grid in both insulated ceilings and non-insulated ceilings.

Access above ceiling required.

Bend (4) grid clip mounting tab 90° degrees on each corner.

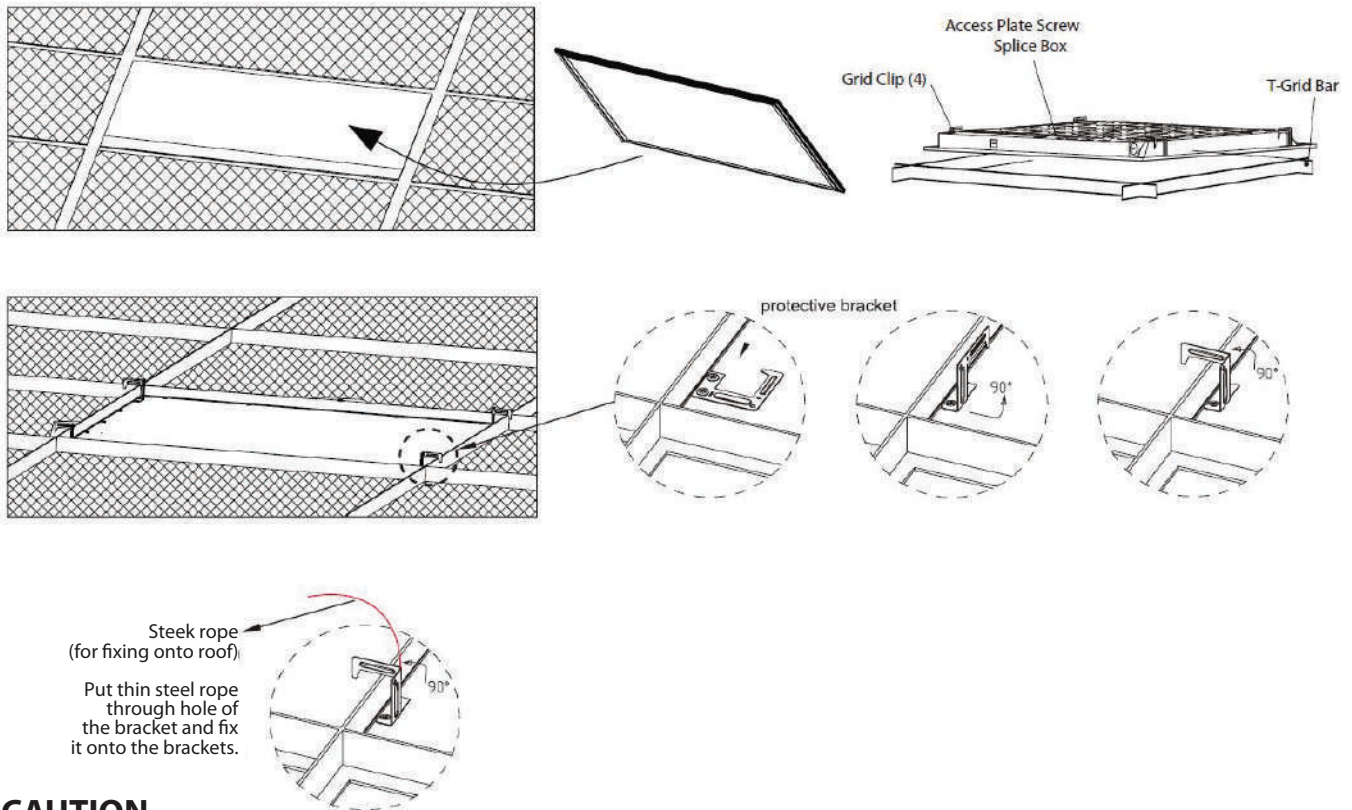
Rotate and slide the luminaire as required to fit through the T-Grid Bar and secure. Support wires are required by installation codes (not included in the package).

Make sure that the orientation of the Access Plate and Splice Box face an accessible tile to make electrical splices.

Loosen Access Plate Screw and remove the Access Plate Knock out appropriate Conduit Knockouts on the Access Plate to route input conduit. Use appropriate conduit connectors as required by code.

Connect wires as shown in wiring diagram below. Push all wires back into the Splice Box. Use appropriate UL-approved wire connectors as required by code to complete wiring.

Ensure that the wiring of the last luminaire in the row is properly terminated. Then make all electrical connections to the luminaire. Attach the wiring access cover plate.



CAUTION

1. Avoid direct eye exposure to the light source while it is on.
2. Account for small parts and destroy packing material, as these may be hazardous to children
3. Disconnect power and allow fixture to cool before changing bulb or handing fixture.

These instructions do not cover all details or variations in equipment nor do they provide for every possible situation during installation, operation or maintenance.

FLOW™

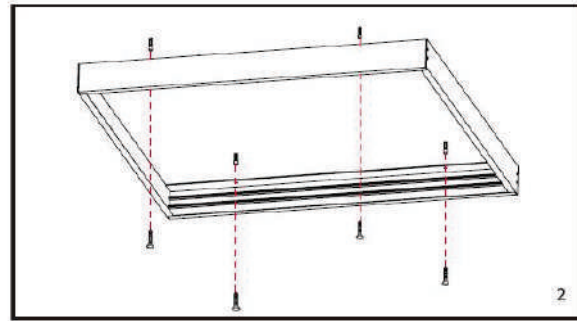
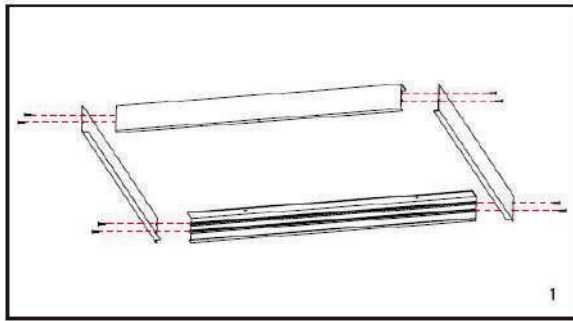
LED Back-lit Panel



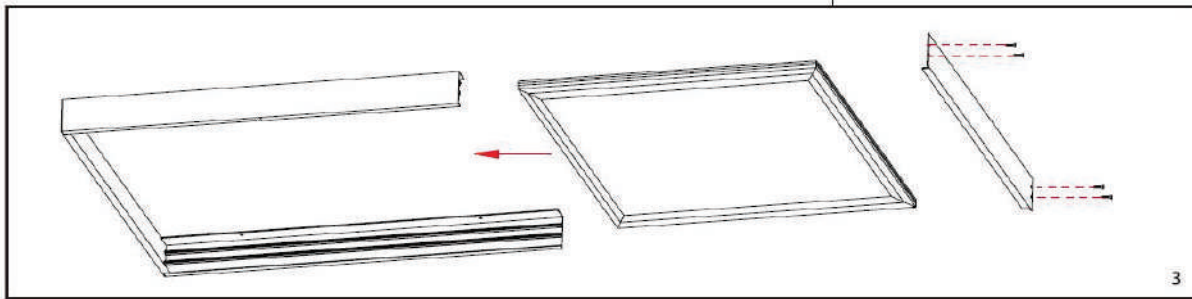
Installation

Surface Mount Installation Steps (Required additional kit from manufacturer)

1. Put the four pieces of frame together and fix them by screws.
2. Fix the frame onto the wall by screws.

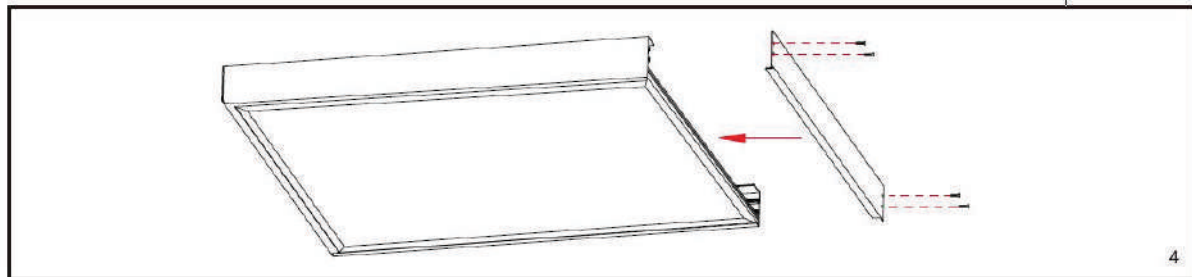


3. Dismantle one piece of frame and put the LED panel into the frame.



4. Fix the frame by putting back the dismantled part.

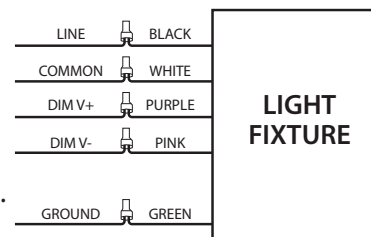
Note: The drivers and connector must be fixed to the back of LED panel by adhesive tape.



WIRING INSTRUCTION

Universal voltage driver permits operation at 120V thru 277V.

1. Connect the BLACK fixture lead to the LINE supply lead.
2. Connect the WHITE fixture lead to the COMMON supply lead.
3. Connect the GROUND wire from fixture to supply ground.



TROUBLESHOOTING

1. Check that the line voltage at fixture is correct. Refer to wiring directions.
2. Is the fixture grounded properly?

These instructions do not cover all details or variations in equipment nor do they provide for every possible situation during installation, operation or maintenance.



FLOW™

LED Back-lit Panel

Packaging

SKU #	Size	Dimension (Inches)	Qty	Net Weight	Gross Weight
156709	2' x 2'	25 x 3.2 x 25	2 Pcs/Ctn	8.4 LBS	10.1 LBS
156710	2' x 4'	25 x 3.2 x 49	2 Pcs/Ctn	16 LBS	19 LBS
156774	2' x 4'	24.4 x 3 x 49	2 Pcs/Ctn		

Warranty

5 Year Warranty

Application Image



FLOW™

LED Back-lit Panel



Installation



LED BACK-LIT PANEL