



LOYA™

LED Linear High Bay



The LOYA Linear High Bay is a highly compact design with a sleek and integral construction that uses die-cast housing. It saves a lot of money on shipping and is easy to install. Built-In 6,10KV surge protection keeps it working smoothly even in poor power condition. With high efficiency of up to 150 lumens per watt. LOYA has pre-installed sensor base for and optional motion sensor. It is commonly utilized in warehouses and storage facilities, as well as industrial facilities, sports facilities and gyms.

Product Features

- Up to 150 Lumens per watt
- Input voltage 120-277V
- Wattage Adjustable
- Built-In 10kv surge protector
- Die-cast aluminum white housing
- Optional screw-in motion sensor
- High quality polycarbonate lens protects LEDs.
- Powder coat corrosion resistant finish with High Transmittance polycarbonate lens
- 0-10V dimming
- UL & DLC Listed
- 5 Year warranty

LOYA™

LED Linear High Bay



SKU #	Model #	Wattage Adjustable	Lumens	CCT	Size	Housing	Input Voltage	Dimming	Certifications
155530	BLT-LHBC(90/105/130)W-50KLV-S	90W/105W/130W	13590Lm/19630Lm	5000K	1.16ft	White	120-277V	0-10V	UL & DLC
156244	BLT-LHBC(240/270/300)W-50KLV-S	240W/270W/310W	36240Lm/46810Lm	5000K	1.70ft	White	120-277V	0-10V	UL & DLC
155576	Motion Sensor								
155577	Remote Control								

SKU Number 15530 Specifications

Parameter	Description	Value
General Performance	Model #	BLT-LHBC(90/105/130)W-50KLV-S
	Wattage Adjustable	90W/105W/130W
	Lumen	13590Lm / 19630Lm
	Lumen Efficacy	Up to 150LM/W
	Color Temperature	5000K
	CRI (Ra)	>80
	Beam Angle	110 Degree
Electrical	Diffuser Type	Polycarbonate
	Input Voltage	120-277Vac
	Frequency	50/60Hz
	Dimming	0-10V
	Power Factor	≥0.9
	Driver Surge Protection	L/N-PE:10kV,L-N:6kV
Physical	Flicker Percent	Flicker Free
	Operating Temperature	-40°C - +50°C
	Operating Humidity	N/A
	Storage Temperature	-40°C - +90°C
	Storage Humidity	N/A
	LED Brand	E-lite
	LED Type	SMD 2835
	LED QTY / Size	224 Pcs / 1.16ft
Qualification	Housing	Aluminum Die Cast
	Housing Color	White
	IP Rating	IP40
	Warranty	5 Year Warranty

LED LINEAR HIGH BAY



LOYA™

LED Linear High Bay

SKU Number 156244

Specifications

Parameter	Description	Value
General Performance	Model #	BLT-LHBC(240/270/300)W-50KLV-S
	Wattage Adjustable	240W/270W/310W
	Lumen	36240Lm / 46810Lm
	Lumen Efficacy	Up to 150LM/W
	Color Temperature	5000K
	CRI (Ra)	>80
	Beam Angle	110 Degree
	Diffuser Type	Polycarbonate
Electrical	Input Voltage	120-277Vac
	Frequency	50/60Hz
	Dimming	0-10V
	Power Factor	≥0.9
	Driver Surge Protection	L/N-PE:10kV,L-N:6kV
	Flicker Percent	Flicker Free
Physical	Operating Temperature	-40°C - +50°C
	Operating Humidity	N/A
	Storage Temperature	-40°C - +90°C
	Storage Humidity	N/A
	LED Brand	E-lite
	LED Type	SMD 2835
	Size	1.70ft
	LED QTY	224 Pcs
	Housing	Aluminum Die Cast
	Housing Color	White
Qualification	IP Rating	IP40
	Warranty	5 Year Warranty

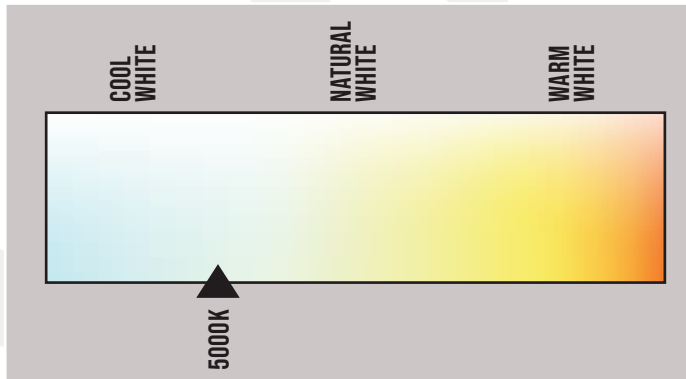
LED LINEAR HIGH BAY

LOYA™

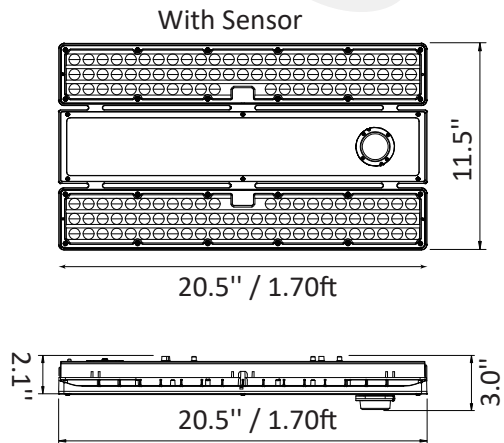
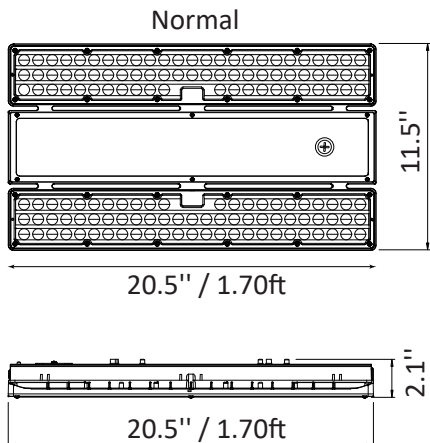
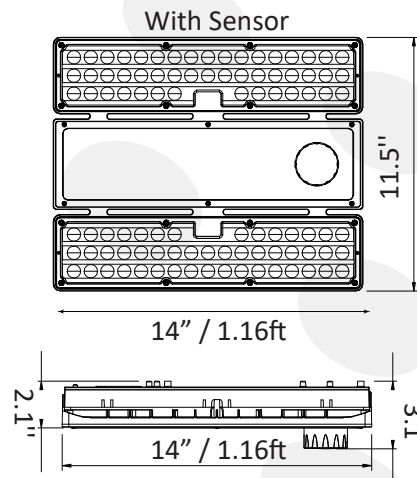
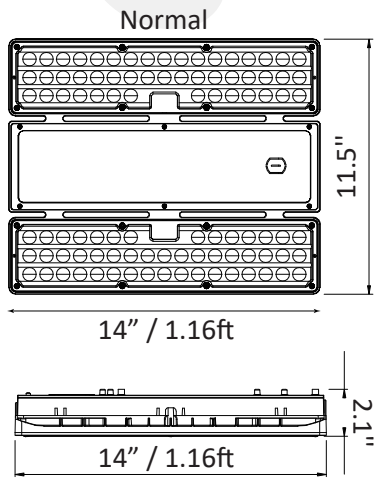
LED Linear High Bay



Correlated Color Temperature (CCT)



Dimensions



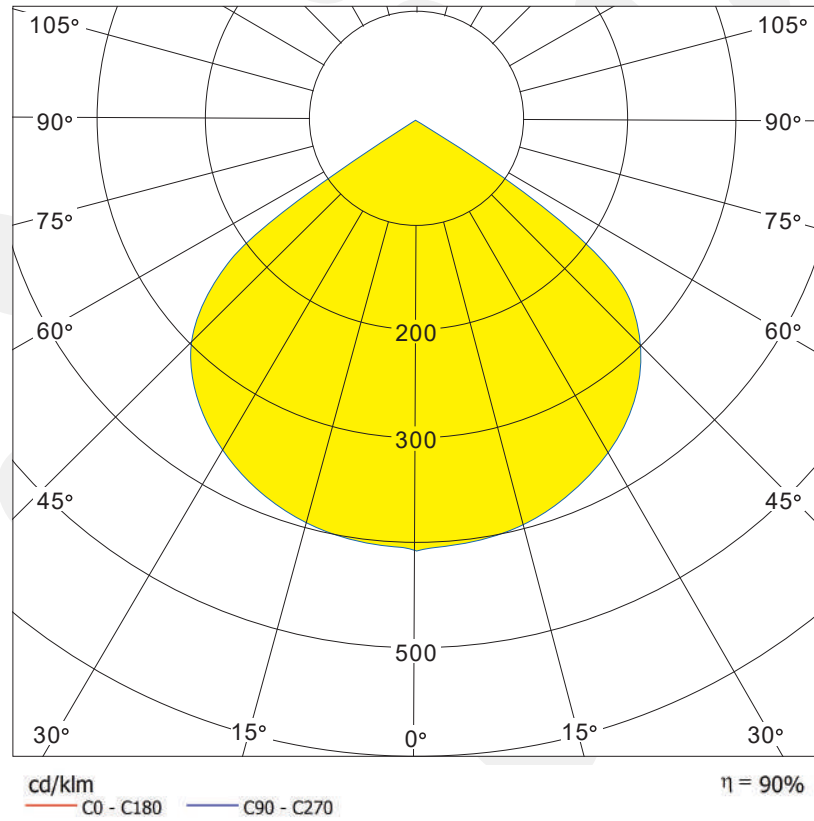
LED LINEAR HIGH BAY



LOYA™

LED Linear High Bay

Photometric Diagrams



Beam Angle: 105°

Accessories



Motion Sensor
SKU: 155576



Remote Controller
SKU: 155577



Air Craft Cable



40W Emergency Driver
SKU: 156245

LOYA™

LED Linear High Bay



Installation

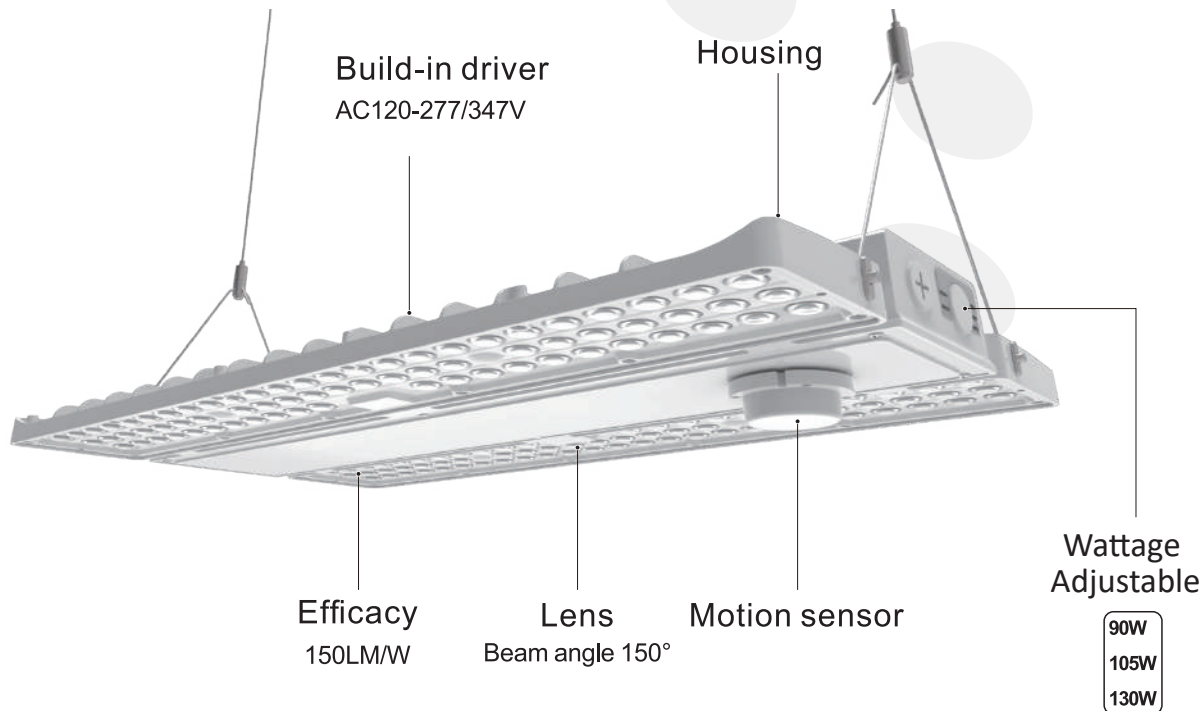
Application

Widely used in Warehouse • Stadiums • Factories • Supermarket • Logistics Center • Exhibition Hall.

Notes before Installation

1. Be careful to open the carton, contact us if any damage.
2. This product must be installed in accordance with the applicable installation, code by a person familiar with the construction and operation of the product and the hazards involved.
3. "caution - risk of shock" and "disconnect power before servicing" when photoelectric switch provided.
4. Please check whether the voltage marked on the luminaire is consistent with the input voltage to be connected, so as not to damage the LED luminaire.
5. To ensure the lifetime of the product, please do not use it in a place with strong acid mist.
6. Make sure the installation position can withstand 10 times the weight of the luminaire before installation and install it at a flat place without vibration, no swing, no fire hazard.

Overview Description



LED LINEAR HIGH BAY

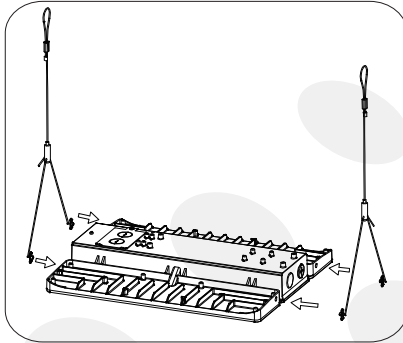


LOYA™

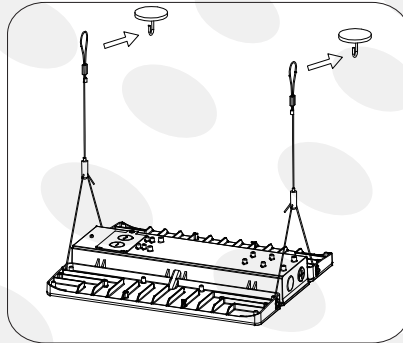
LED Linear High Bay

Installation

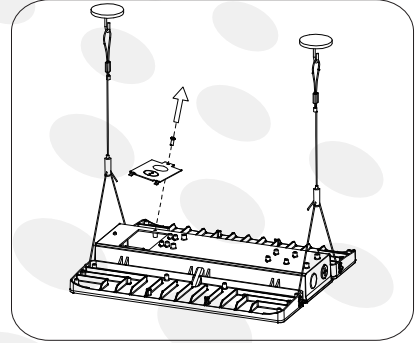
● Chain Mounting



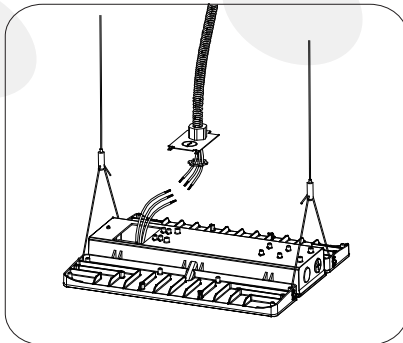
1. Install the lanyard into the light fixture



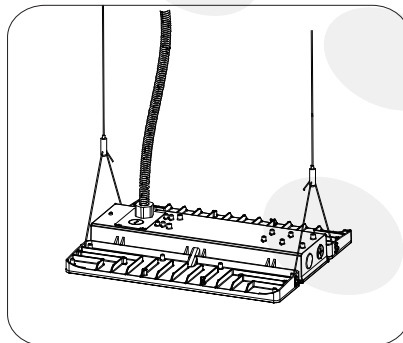
2. Hang the lanyard from the ceiling anchor



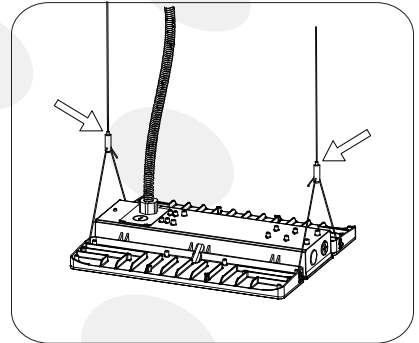
3. Remove the screws and remove the cover



4. Wiring as required and taking safety precautions

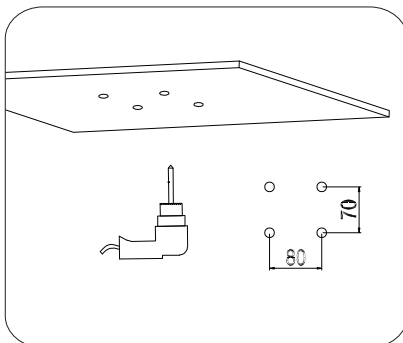


5. lock the lid

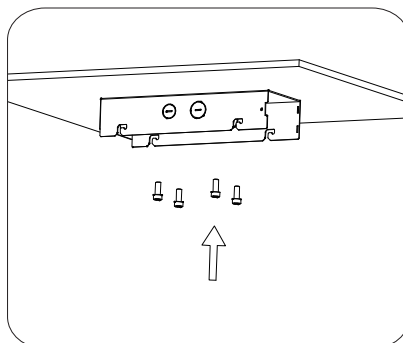


6. Press this switch to adjust to the required length and complete the installation

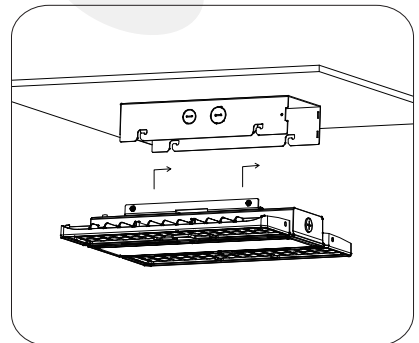
● Ceiling-Surface Mounting



1. Drill holes according to ceiling and size requirements



2. Mount the junction box to the ceiling



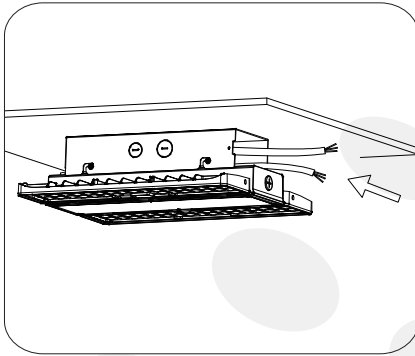
3. Install the light into the junction box and tighten the screws

LOYA™

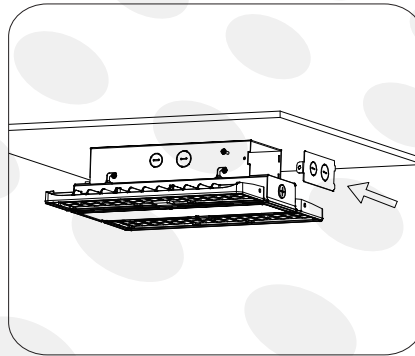
LED Linear High Bay



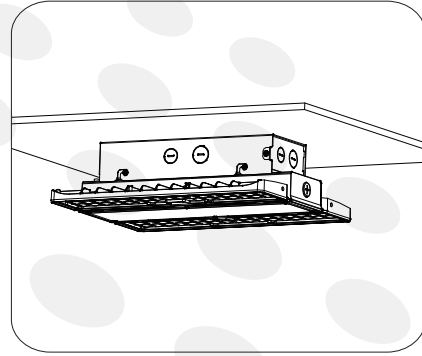
Installation



4. Wiring as required and taking safety precautions

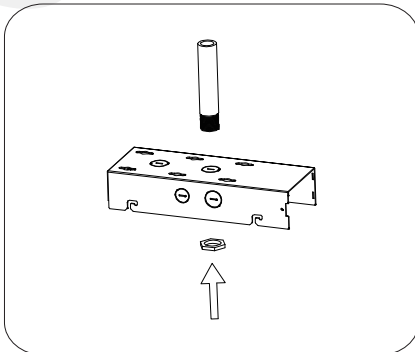


5. Close the cover and tighten the screws

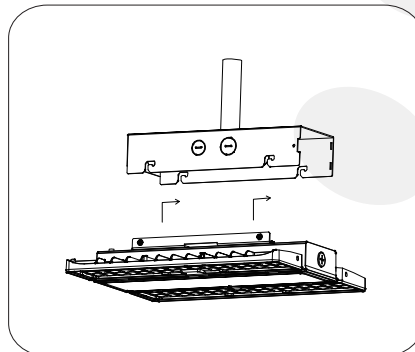


6. Complete installation

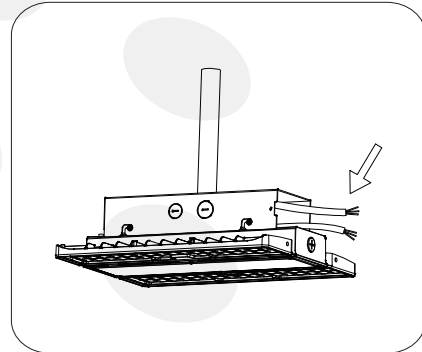
● Pendant Mounting



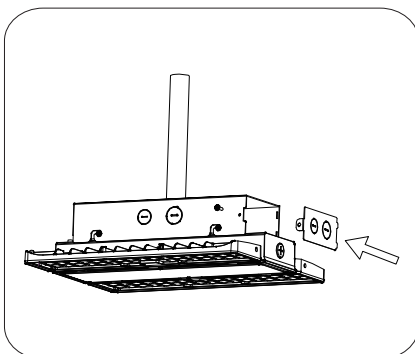
1. Install the junction box on the 3/4" pipe



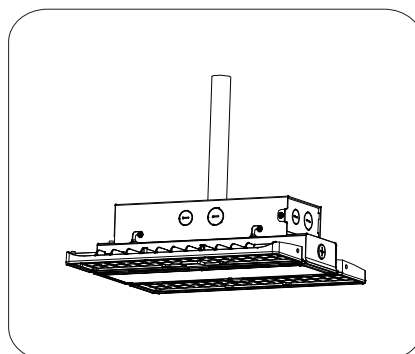
2. Install the light into the junction box and tighten the screws



3. Wiring as required and taking safety precautions



4. Close the cover and tighten the screws



5. Complete installation



LOYA™

LED Linear High Bay

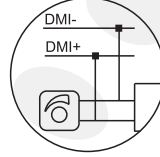
Installation

» wiring diagram



L-black
GND-green
N-white

AC120 - 277/347V 50/60Hz
AC277- 480V 50/60Hz



Dimmer connect the wires:
DMI+match DMI+;
DMI - match DMI-

» Shipping and Warehousing

1. Please do not shake it too much during transportation, handle carefully when unloading.
2. Recommended to be stored in a warehouse of -10~ +60°C and keep the warehouse dry.

» Trouble shooting

PROBLEM	POSSIBLE CAUSE	SOLUTION
Light will not come on	A. Light switch is turned off. B. Fuse is blown or circuit breaker is turned off. C. Incorrect circuit wiring.	A. Turn light switch on. B. Replace fuse or turn circuit breaker on. C. Verify that fixture is wired properly.

LOYA™

LED Linear High Bay



Packaging

SKU #.	Carton Size (Inches)	Qty	Net Weight	Gross Weight
155530	15.94 x 5.27 x 13	2/Box	11.0 LBS	11.9 LBS
156244	22.4 x 13.0 x 5.27	2/Box	13.7 LBS	17.5 LBS

Warranty

5 Years Warranty

LED LINEAR HIGH BAY



LOYA™

LED Linear High Bay

Application



LED LINEAR HIGH BAY