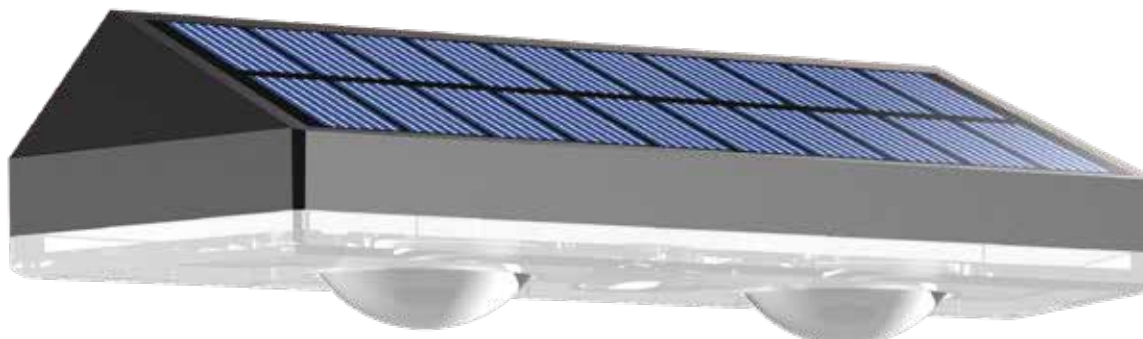


Solar Wall Washer



Introducing Beyond Solar's Sun Beam, the versatile and eco-friendly lighting solution designed to brighten your outdoor spaces. Whether it's for fences, walls, patios, porches, backyards, or gardens, the Sun Beam offers a luminous glow with its 20 lumens output. Engineered to last, it boasts an impressive working time of 10-12 hours, ensuring your areas remain illuminated from dusk till dawn. With three lighting modes—warm, mix, and white light—you can customize the ambiance to suit any occasion. The Sun Beam is available in sets of 2 or 4, allowing you to create the perfect lighting arrangement for your outdoor haven.

SKU: 790111

**Model Number:
AVS-SWW-111**

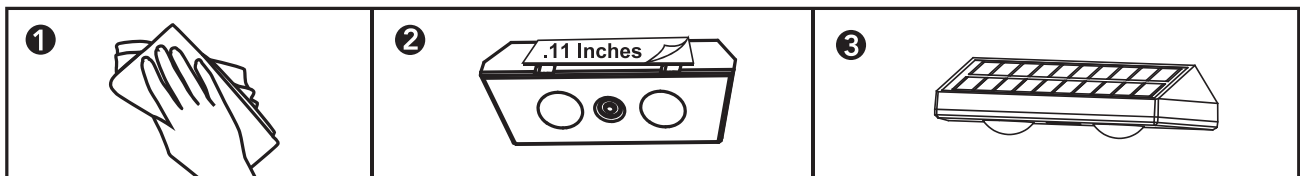
Specifications	
Solar Panel	4.3 x 1.7 Inches 5V 120mA
Battery	1 x 500mAh 3.7V
Charging Time	5-6 hrs
LED	
Lumens	20LM
CCT Adjustments	3K/4K/6K
Mode	Warm, Mix & White Light
Working Time	10-12 hrs
Material	
IPS Rating	IP44
ABS	ABS +PG33
Dimensions	
Lamp Size	5.8W x 1.8D x 1.4H Inches
Box (2pcs/set)	2.4 x 2.4 x 5.8 Inches
Master Box (50set/CTN)	12.9 x 12.9 x 12.2 Inches
2PK Net Weight (set)	0.4 lbs
2PK Gross Weight (set)	0.4 lbs
Quantity	
	Sets of 2/4

Beyond Solar retains the right to modify or change product specifications without prior notice, as part of our ongoing commitment to improvement.

Installation

Method - 1

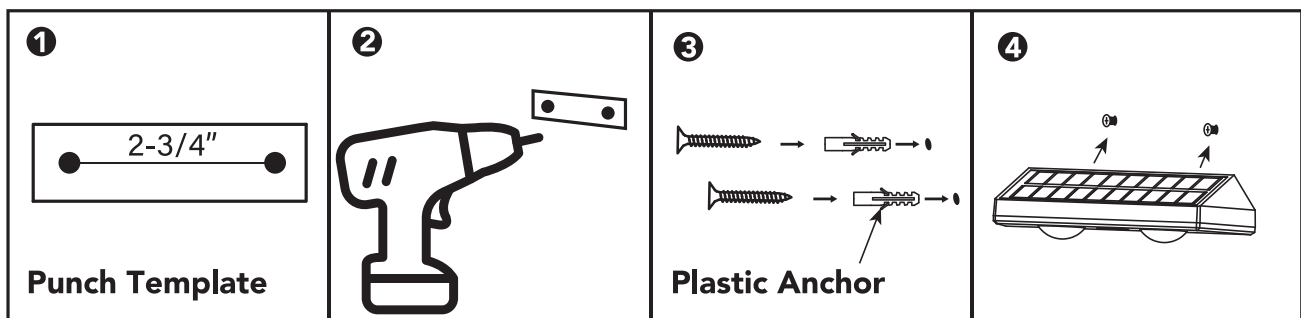
Double Sided Adhesive Fixation



- 1 Clean the mounting surface.
- 2 Fixed with double-sided adhesive tapes .

Method - 2

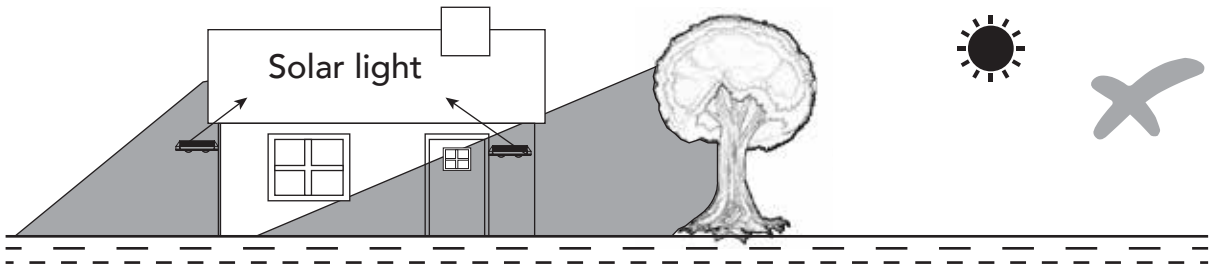
Screws Fixation



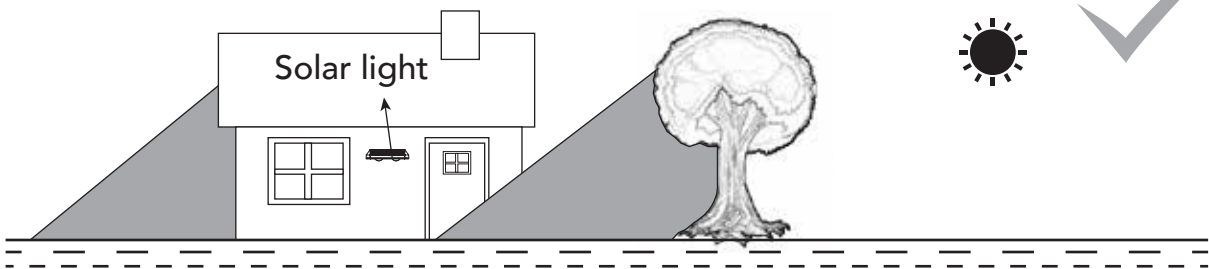
- 1 Using a punch template to locate the distance between two holes.
- 2 Punch two holes with drill bit on the wall.
- 3 Insert the plastic anchor into the wall, Insert the screws and leave at least 1/4 in.
- 4 Just hang the solar light on the screw and install it.

⚠ When using it for the first time, please turn on the switch and choose your preferred color. Charge it in sunlight for 6-8 hours to ensure that the battery has sufficient power.

⚠ Please do not place the solar light in the shade or shade of trees.



⚠ Please place the solar light in a sunny area for charging.



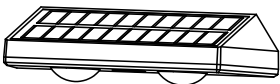
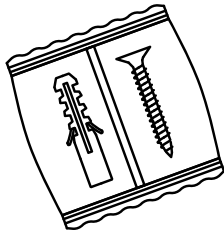

⚠ Additional remarks

1. Please attention: The time of sun exposure to solar panels has close relationship with the local weather conditions, installation site and direction, which will directly influence the charging effect.
2. Please ensure solar panel is in plenty of sun more than 6 hrs per day
3. We remind kindly to clean the panel when it comes dirty.

Use & Care Manual

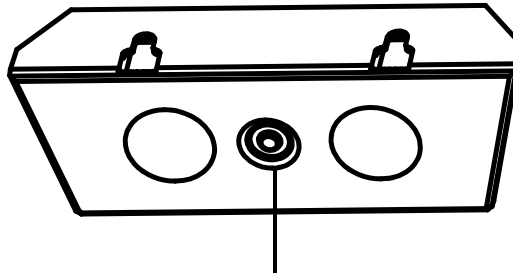
⚠ Please carefully read all the instructions before assembly.
Failure to do so that result in faulty assembly and potential injury.

What's in the Box





 <p>Solar Light</p>	<div data-bbox="502 1765 769 1839"> <p>0.1 Inch</p> </div> <div data-bbox="502 1854 769 1892"> <p>Double-Sided Tape</p> </div> <hr/> <div data-bbox="502 1951 769 2024"> <p>2-3/4"</p> </div> <div data-bbox="502 2040 769 2078"> <p>Punch Template</p> </div>	 <p>Installation Accessories</p>	 <p>User Manual</p>
--	--	--	--

Solar Light Model Review

⚠ This solar light has multiple color modes to choose from, and you can choose your favorite color mode through the switch.



MODELS

 1 Warm	 2 Mixing (Warm+White)	 3 White	 4 OFF
--	--	---	---



Applications



Sun Beam

