



TUPELO™

LED Center Basket Troffer



Beyond LED TUPELO Center Basket troffers offer uniform illumination and excellent energy savings when you replace traditional T5, T8, or T12 fluorescent troffers. Our TUPELO troffers deliver soft, glare-free, ambient lighting in a popular center-basket design and is 5 Wattages and 5 CCT adjustable. The slim profile and energy-saving LED technology make TUPELO the ideal choice for renovation or new construction.

Product Features

- Available in 2x2 & 2x4
- Up to 135 Lumens per watt
- Wattage Adjustable
- Adjustable CCT 3K / 3500K / 4K / 5K / 6500K
- Beam Angle 120° Degree
- 0-10V Dimmable
- White Housing
- Input Voltage 120-277Vac / 50-60Hz
- UL & DLC Listed
- 5 Year warranty

TUPELO™

LED Center Basket Troffer



SKU #	Model #	Wattage Adjustable	Lumens	CCT Adjustable	Dimming	Size	Input Voltage	Certifications
157003	TR01-22-40W-P-A5C5	20W/25W/30W/ 35W/40W	Max 5400Lm	3K/3500K/4K/ 5K/6500K	0-10V	2'X2'	120-277Vac	UL & DLC
156971	TR01-24-72W-P-A5C5	30W/40W/50W/ 60W/72W	Max 9720Lm	3K/3500K/4K/ 5K/6500K	0-10V	2'X4'	120-277Vac	UL & DLC

SKU: 157003 Specifications

Parameter	Description	Value
General Performance	Model #	TR01-22-40W-P-A5C5
	Wattage Adjustable	20W / 25W / 30W / 35W / 40W
	Lumen	Max 5400Lm
	Lumen Efficacy	Up to 135LM/W
	Color Temperature	3K / 3500K / 4K / 5K / 6500K
	CRI (Ra)	>80
	Beam Angle	120° Degree
	Diffuser Type	PC
Electrical	Input Voltage	120-277Vac
	Frequency	50/60 Hz
	Dimming	0-10V Dimmable
	Power Factor	>0.9
	Flicker	Flicker free driver available
	THD	<20%
Physical	Driver Brand	HXS
	Driver Model	HXS072-UL
	Operating Temperature	-20°C to 40°C
	Operating Humidity	10% - 90% RH
	Storage Temperature	-20°C to 45°C
	Storage Humidity	10% - 90% RH
	LED Brand	Lumileds
	LED Type	2835
	LED QTY	
Qualification	Housing Material	Steel
	Housing Color	White
	IP Rating	IP20
	Warranty	5 Year



TUPELO™

LED Center Basket Troffer

SKU: 156971

Specifications

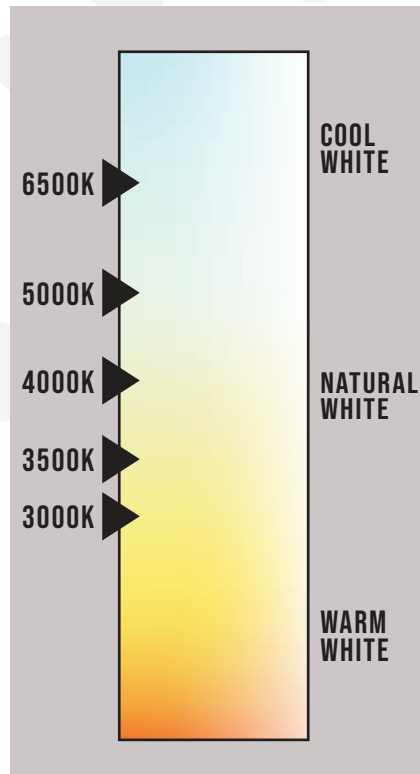
Parameter	Description	Value
General Performance	Model #	TR01-24-72W-P-A5C5
	Wattage Adjustable	30W / 40W / 50W / 60W / 72W
	Lumen	Max 9720Lm
	Lumen Efficacy	Up to 135LM/W
	Color Temperature	3000K / 3500K / 4000K / 5000K / 6500K
	CRI (Ra)	>80
	Beam Angle	120° Degree
	Diffuser Type	PC
Electrical	Input Voltage	120-277Vac
	Frequency	50/60 Hz
	Dimming	0-10V Dimmable
	Power Factor	>0.9
	Flicker	Flicker free driver available
	THD	<20%
Physical	Driver Brand	HXS
	Driver Model	HXS072-UL
	Operating Temperature	-20°C to 40°C
	Operating Humidity	10% - 90% RH
	Storage Temperature	-20°C to 45°C
	Storage Humidity	10% - 90% RH
	LED Brand	Lumileds
	LED Type	2835
	LED QTY	720 Pcs
	Housing Material	Steel
Qualification	Housing Color	White
	IP Rating	IP20
	Warranty	5 Year

TUPELO™

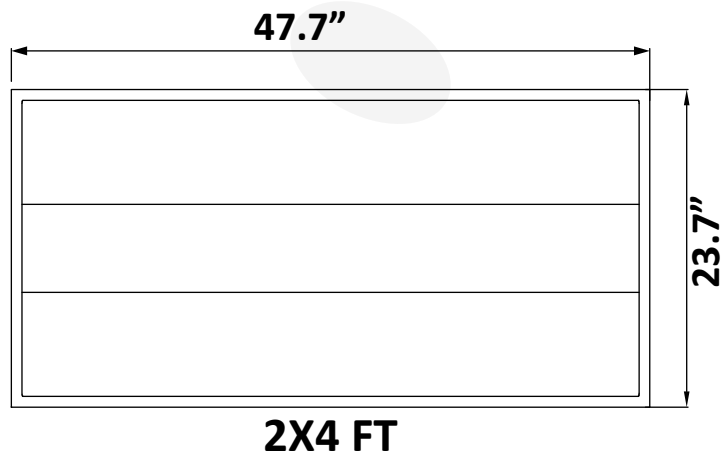
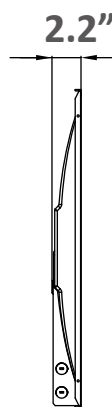
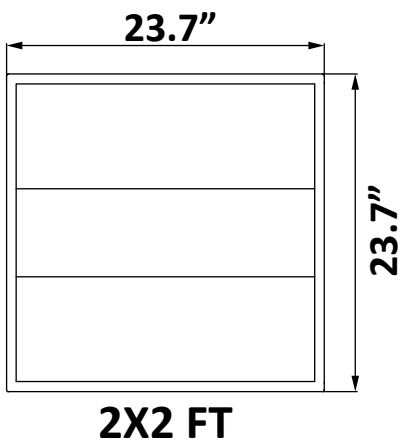
LED Center Basket Troffer



Correlated Color Temperature (CCT)



Dimensions



LED CENTER BASKET TROFFER



TUPELO™

LED Center Basket Troffer

Product Appearance



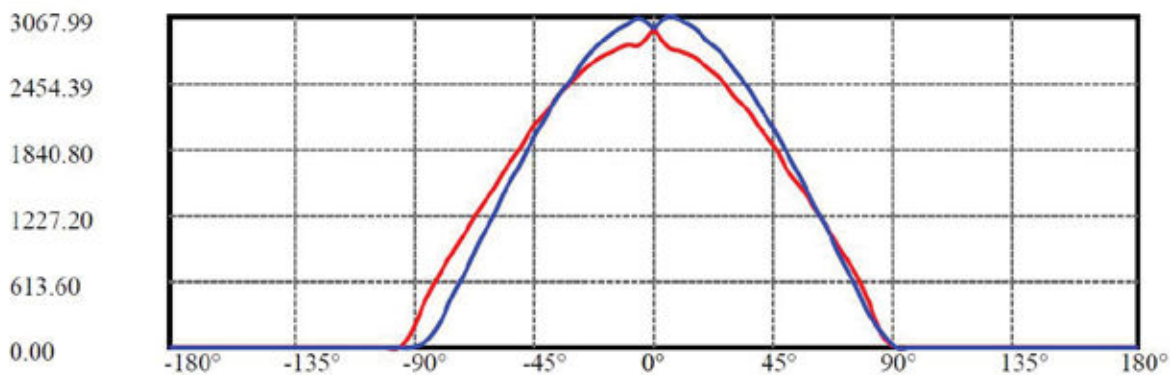
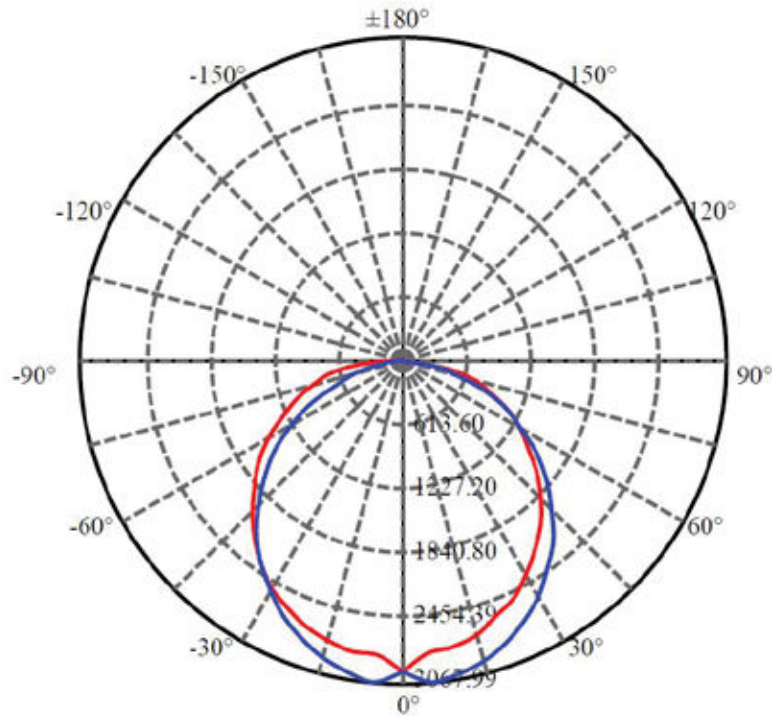
TUPELO™

LED Center Basket Troffer



Distribution Diagram

Light Distribution Curve [Unit:cd]



C0/C180: —

C90/C270: —

Field angle(10%Imax):C0/180Left:87.3 Right:82.2
:C90/270Left:78.5 Right:80.6

Beam Angle(50%Imax):C0/180Left:59.6 Right:54.6
:C90/270Left:53.7 Right:55.4

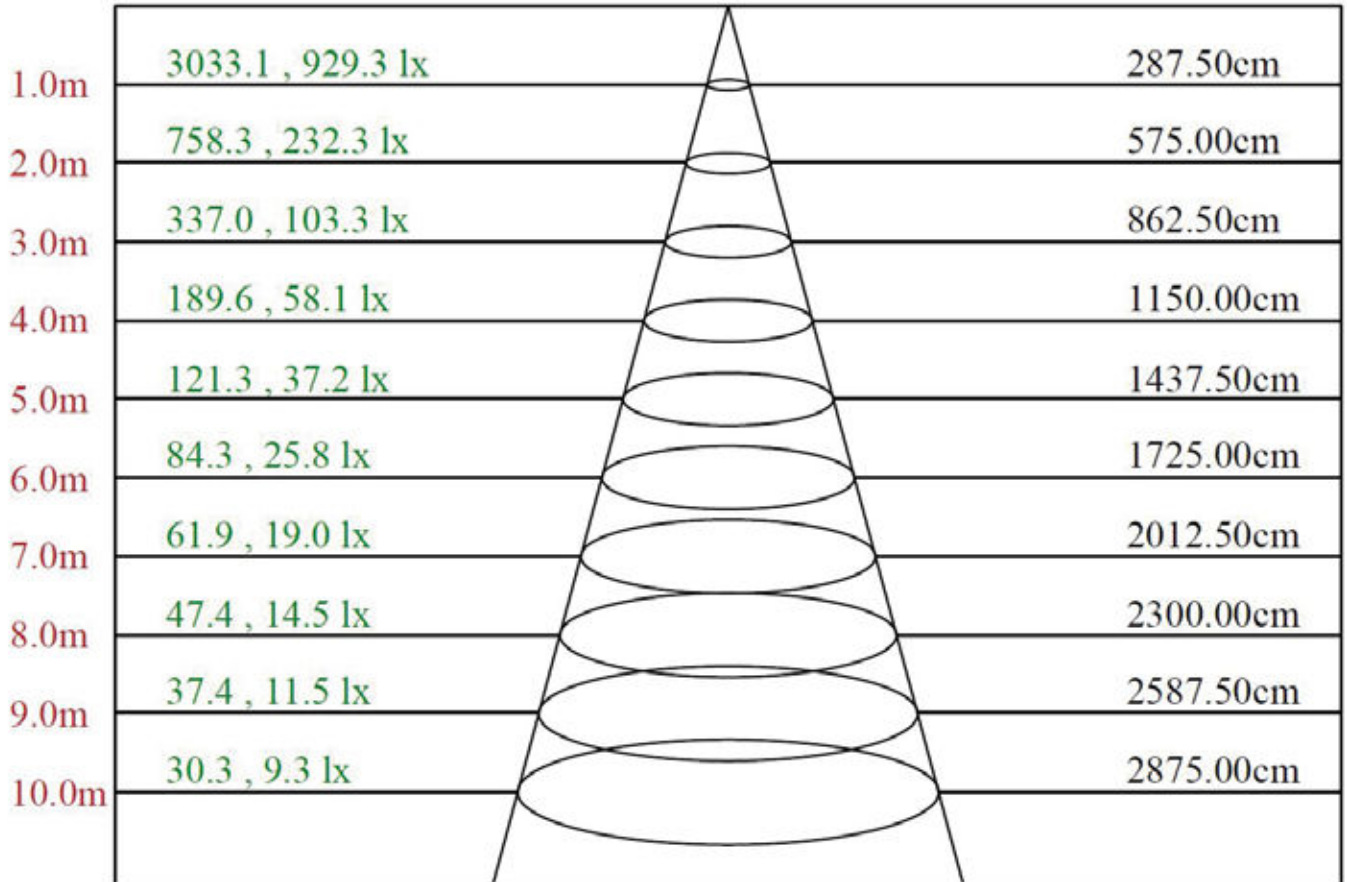
LED CENTER BASKET TROFFER



TUPELO™

LED Center Basket Troffer

Lux Distance Curve



Max , Ave

Beam angle of C112.5 plane 110.35

TUPELO™

LED Center Basket Troffer



Installation

NOTE

Please read this entire manual to fully understand and safely use this product. Specifications are subject to change without notice.

Please visit our website the most recent user guide versions.

UNPACKING

1. Unpack and carefully examine the product.
2. Report any damage and save all packing materials if any part(s) were damaged during shipping.
3. Do not attempt to use this apparatus if it is damaged.

IMPORTANT SAFETY INFORMATION

CAUTION: Risk of Electric Shock

Suitable for Damp location. Access above ceiling required. Do not install insulation within 51 mm (2 in) of any part of the luminaire. Suitable for suspended ceilings.

READ ALL INSTRUCTIONS BEFORE INSTALLATION

1. Consult a qualified electrician to ensure correct branch circuit conductor.
2. The product should be installed and operated by a qualified electrician or technician in accordance with relevant local codes.
3. Risk of electric shock. Ensure that main power source is off when wiring or soldering the sections of the product.
4. Before installing this fixture or doing any maintenance, make sure to turn off the power supply at the circuit breaker or fuse box.
5. Check to make sure that all fixture connections have been properly made and the fixture is grounded to avoid potential electrical shocks.
6. Do not handle energized fixture when hands are wet, when standing on wet or damp surfaces, or in water.
7. This pane lights are normally set to work at extra low voltage below DC42V and constant current conditions to ensure safety to human body.
8. Designed for use in 100V-277V, 50-60Hz protected circuit. Apply class 2 power supply.

INCLUDED IN THIS BOX

1. LED Luminaire
2. Installation instruction



TUPELO™

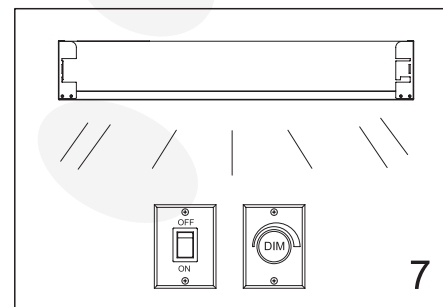
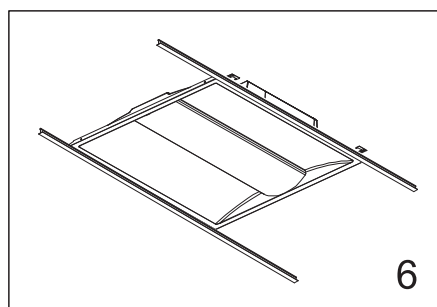
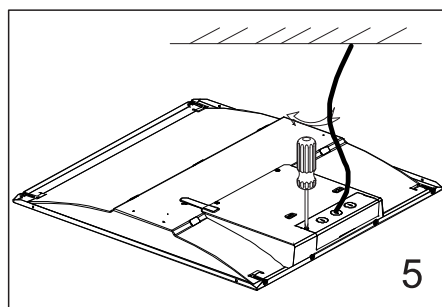
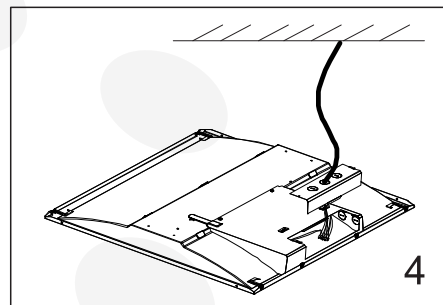
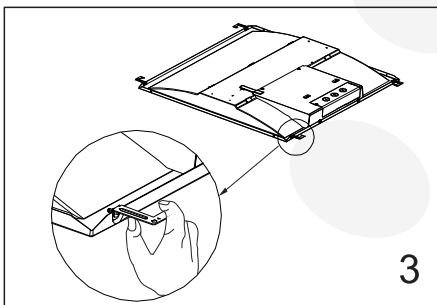
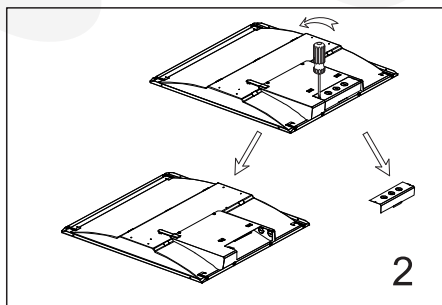
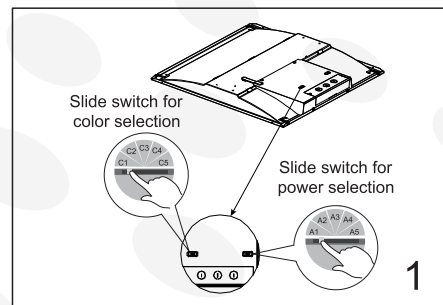
LED Center Basket Troffer

Installation

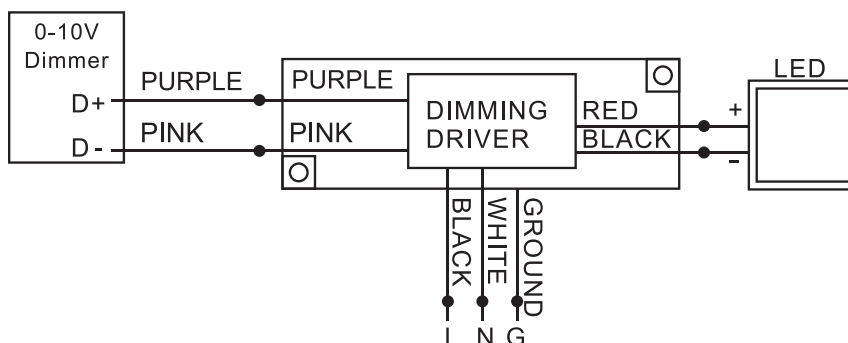
- Step 1. Select a desired color temperature and wattage by using the slide switch.
- Step 2. Remove the driver cover with a screwdriver.
- Step 3. Fold out the earthquake hook.
- Step 4. Connect AC wires correspondingly, then connect dimming wires: DIM+ (Purple) and DIM- (Pink).
- Step 5. Install the driver cover with a screwdriver.
- Step 6. Install the light fixture to the ceiling.
- Step 7. Turn on the power and light up the light fixture.

Dimmer Connect

Compatible with 0-10V dimmer,
The driver PURPLE(D+) to the dimmer+(PURPLE),and the driver
PINK(D-) to the dimmer-(PINK)
Wire joint use cap connector as shown in wiring diagram (Figure 5).
Incoming insulated dimming conductors shall have voltage rated at
least equal to the branch voltage.



Wiring Diagram



TUPELO™

LED Center Basket Troffer



Packaging

SKU	Product Size	Carton Size (Inches)	Qty / Carton	Net Weight	Gross Weight
157003	2'x 2'	25.80 x 4.93 x 26	2 Pcs/Box	11.98 LBS	14.20 LBS
156971	2'x 4'	49.60 x 4.92 x 26	2 Pcs/Box	21.78 LBS	22.04 LBS

Application



LED CENTER BASKET TROFFER



TUPELO™

LED Center Basket Troffer

Packaging



Warranty

5 Year Warranty