



UNION™

LED Flood Light



UNION is our newest and most unique flood light of 2024. This Flood Light emits up to 43500 lumens with a color temperature of 5000K and various wattages ranging from 120W to 300W. This LED Flood Light is designed to replace a 1000 Watt metal halide fixture. Furthermore, this flood light comes with a Yoke Mount and a Slip fitter. It also comes with NEMA 6x6 optics, allowing UNION to be simply installed in a variety of applications. Union is ideal for lighting up yards, driveways, signage, Parking lots, warehouses and security applications.

Product Features

- Up to 145 Lumens per watt
- Wattage Adjustable
- NEMA 6x6 optics
- Beam Angle 85*75° Degree
- Die Cast Aluminum housing
- Screw-in Photocell (Optional)
- Yoke & Slip Fitter mount both included
- Bronze Housing
- IP65 Rated
- Input Voltage 120-277Vac
- UL & DLC Listed
- 5 Year warranty

UNION™

LED Flood Light



SKU #	Model #	Wattage Adj.	Lumens	CCT	Housing	Dimming	Input Voltage	Certifications
156693	BLT-FL21-200WBH6SA1-BR3NP10SPWR50	120W/150W/200W	29000LM	5000K	Bronze	0-10Vac	120-277V	UL & DLC
156598	BLT-FL21-300WBH6SA1-BR3NP10SPWR50	200W/240W/300W	43500LM	5000K	Bronze	0-10Vac	120-277V	UL & DLC

SKU #. 156693

Specifications

Parameter	Description	Value
General Performance	Wattage Adjustable	120W / 150W / 200W
	Lumens	Up to 29000LM
	Lumen Efficacy	Up to 145LM/W
	Color Temperature	5000K
	CRI (Ra)	>80
	Viewing Angle	85*75° Degree
	Input Voltage	120-277Vac
	Distribution Pattern	Clear Tempered Glass
Electrical	Frequency	50/60Hz
	Dimming	0-10V
	PF (Tolerance: -3%)	≥0.9
	THD (Tolerance : +5%)	≤20%
	Flicker Percent	<5%
	Driver Brand	LIFUD
	Driver Model	LF-FAC200
	Driver Surge Protection	L/N-PE: 6kV, L-N: 6kV, also with extra 10KV SP
Physical	Operating Temperature	-40°C TO 50°C
	Storage Temperature	-40°C TO 80°C
	Operating Humidity	20% - 90% RH
	Storage Humidity	20% - 90% RH
	LED Brand	Lumileds
	LED Type	SMD2835
	LED QTY	504 PCS
Qualification	Housing	Die-cast aluminum
	Housing Color	Brown & Black
	IP Rating	IP65
	Warranty	5 years warranty



UNION™

LED Flood Light

SKU #. 156598

Specifications

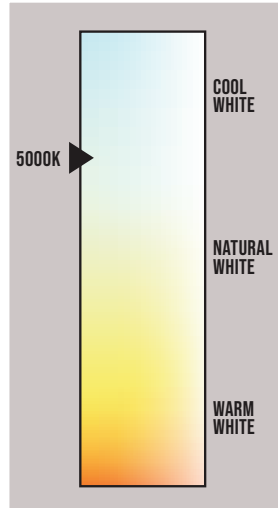
Parameter	Description	Value
General Performance	Wattage Adjustable	200W / 240W / 300W
	Lumens	Up to 43500LM
	Lumen Efficacy	Up to 145LM/W
	Color Temperature	5000K
	CRI (Ra)	>80
	Viewing Angle	85*75° Degree
	Input Voltage	120-277Vac
	Distribution Pattern	Clear Tempered Glass
Electrical	Frequency	50/60Hz
	Dimming	0-10V
	PF (Tolerance: -3%)	≥0.9
	THD (Tolerance : +5%)	≤20%
	Flicker Percent	<5%
	Driver Brand	LIFUD
	Driver Model	LF-FAC320
Driver Surge Protection	L/N-PE: 6kV, L-N: 6kV, also with extra 10KV SP	
Physical	Operating Temperature	-40°C TO 50°C
	Storage Temperature	-40°C TO 80°C
	Operating Humidity	20% - 90% RH
	Storage Humidity	20% - 90% RH
	LED Brand	Lumileds
	LED Type	SMD2835
	LED QTY	960PCS
Qualification	Housing	Die-cast aluminum
	Housing Color	Brown & Black
	IP Rating	IP65
	Warranty	5 years warranty

UNION™

LED Flood Light



Correlated Color Temperature (CCT)



Brackets



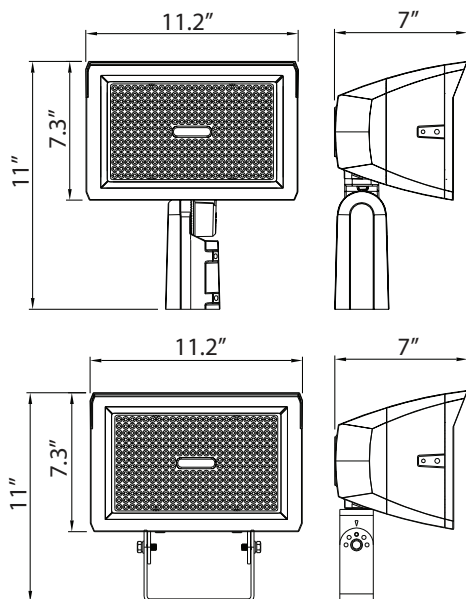
Slip Fitter



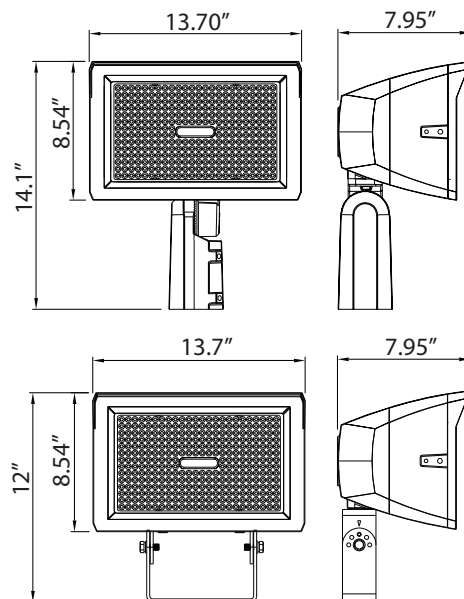
Optional Yoke Mount

Dimensions

200W



300W

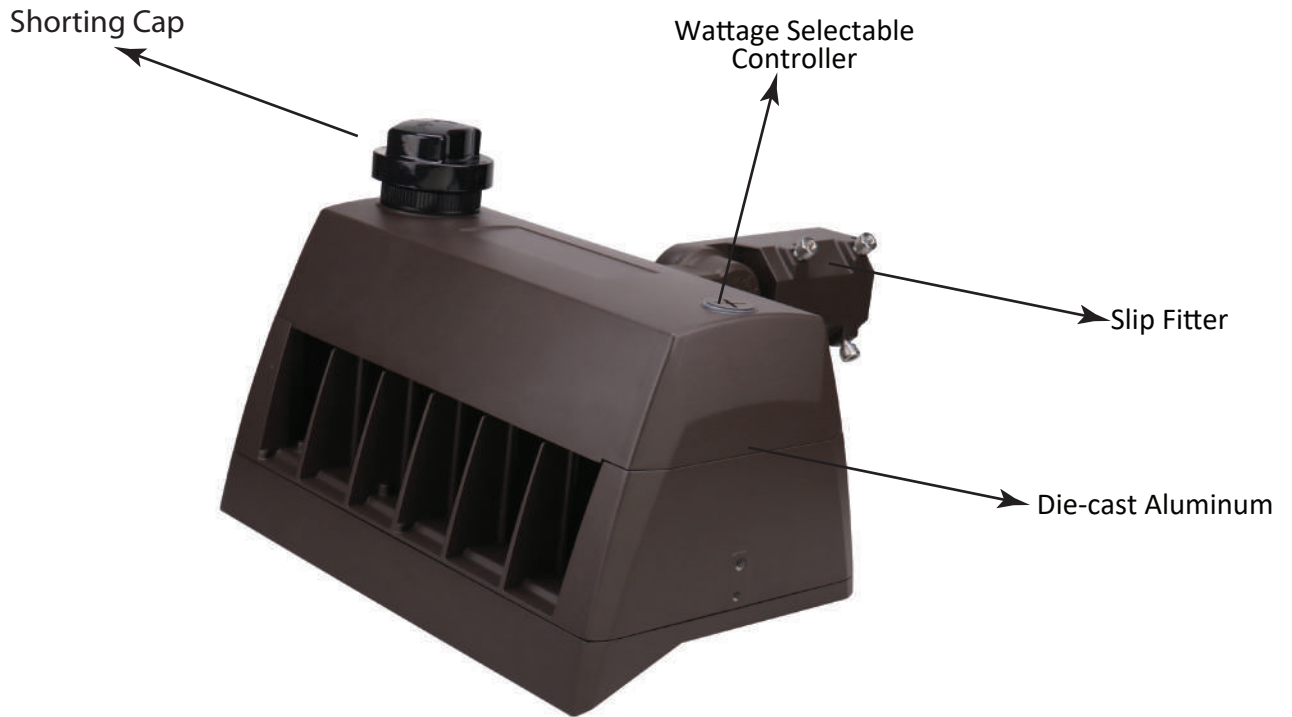




UNION™

LED Flood Light

Product Appearance



UNION™

LED Flood Light



SKU: 156598

Photometric Data

Luminaire Property

Luminaire Manufacturer:

Voltage: 120.9 V

Power: 291.89 W

Current: 2.430 A

Power Factor: 0.993

Photometric Results

CIE Class: Direct

Measurement Flux: 44578.8 lm

Downward Ratio: 99%

Horizontal Diffuse Angle(10%,50%): H149.8,H110

Vertical Diffuse Angle(10%,50%): V128.3,V87.6

Luminaire Efficacy Rating (LER): 152.77

Max. Intensity: 19596.44 cd

S/MH(C0/C180): 1.32

Total Rated Lamp Lumens: 44578.8 lm

Efficiency: 100%

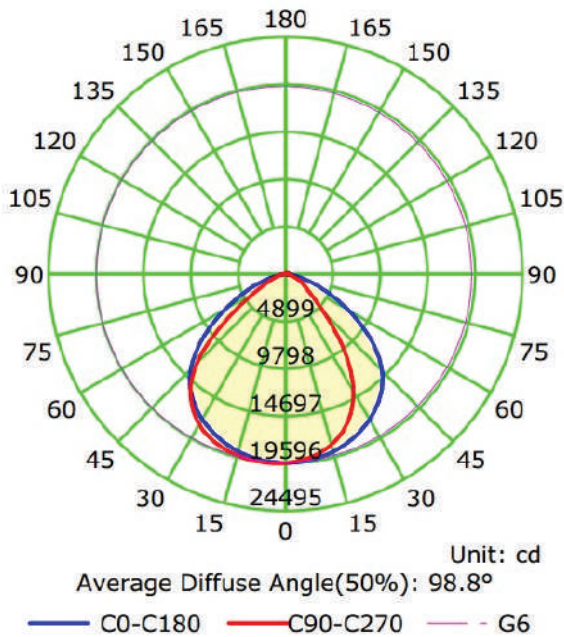
Upward Ratio: 1%

Central Intensity: 19522.01 cd

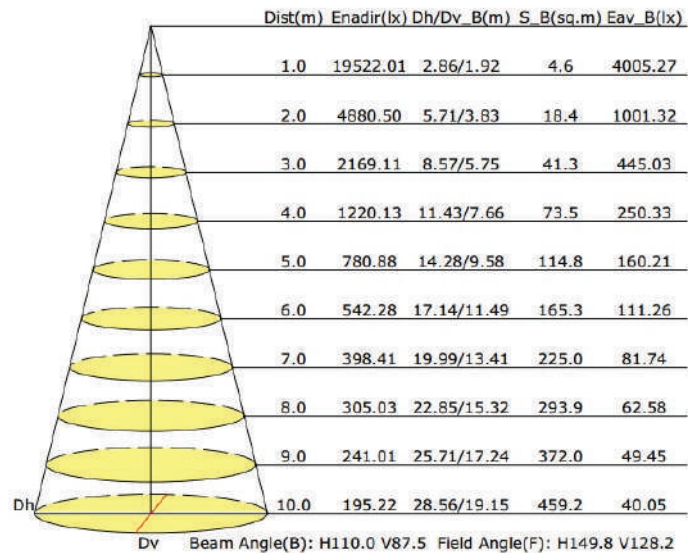
Pos of Max. Intensity: H270 V6

S/MH(C90/C270): 1.21

Luminous Intensity Distribution Curve



Illuminance at a Distance(Beam Angle)



LED FLOOD LIGHT



UNION™

LED Flood Light

Installation

Cautions:

1. Can not use the electric generator to test the LED light.
2. Please abide by related country, regional and local law and regulations when install this fixture.
3. To avoid electrical shock and damage, please do not install the lights in raining days.

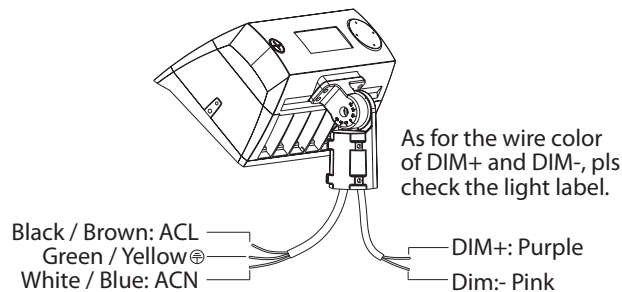
Notices:

1. To prevent from electric shock or fire risk, the installation must be conducted by operator who have professional electrical knowledge.
2. Please wear gloves to avoid injury before installing lights.
3. During or after installation, if there are situations such as smoke, fire in the wires or lights, please turn off the power immediately and notify relevant personnel of an overhaul.
4. This light can be used for outdoor installation.

Instructions:

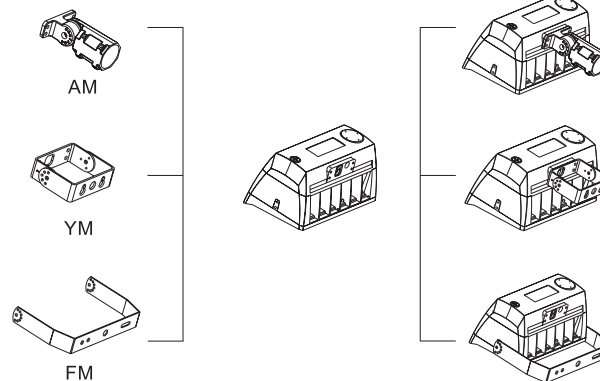
1. This product has dimming function.
2. 2 dimming functions are available in this LED light:
 - (1). Constant current can be achieved by 0-10VDC dimming.
 - (2). Variation of resistance unit dimming(Please choose the appropriate dimming way according to your needs. You can also choose not to use this function).
3. Choose the wire connection ways, dimming ways and installation ways according to your needs and the led fixture purchased.

Wiring Diagram:



Optional Brackets and Installation Instructions

There are 3 optional brackets for this fixture. The following is flood fixtures with different brackets



UNION™

LED Flood Light



Installation

Installation Instructions with different brackets:

1. ADJUSTABLE FITTER MOUNTING (AM)

Step 1: Remove the bracket mounting screws on the fixture and run the wires through the bracket. (Figure 1)

Step 2: Install the bracket on the fixture. (Figure 2)

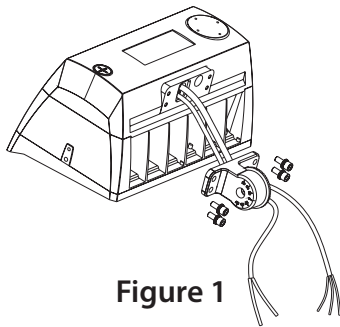


Figure 1

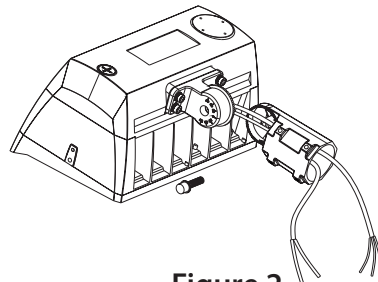
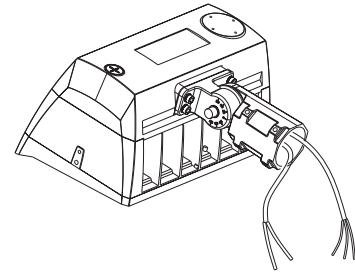


Figure 2



2. YOKE MOUNTING (YM)

Step 1: Put the input wire of the light across the bracket. (Figure 3)

Step 2: Fix the bracket. (Figure 4)

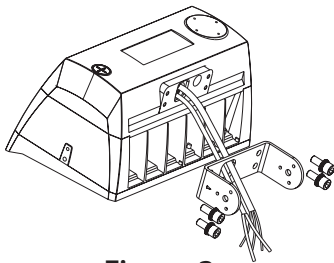


Figure 3

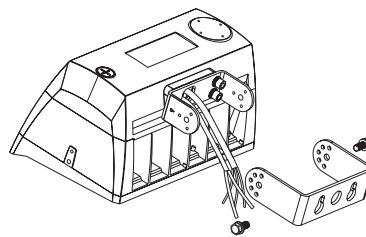
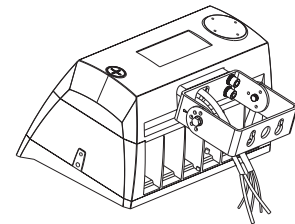


Figure 4



3. FLOOD MOUNTING (FM)

Step 1: First install two big screwst. (Figure 5)

Step 2: Install two small screws. (Figure 6)

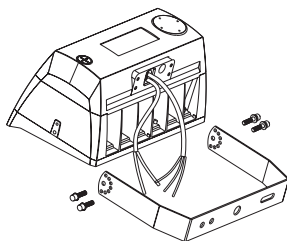


Figure 5

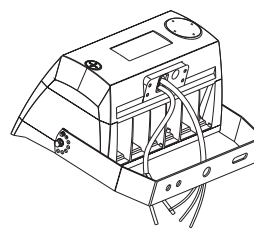


Figure 6



UNION™

LED Flood Light

Installation

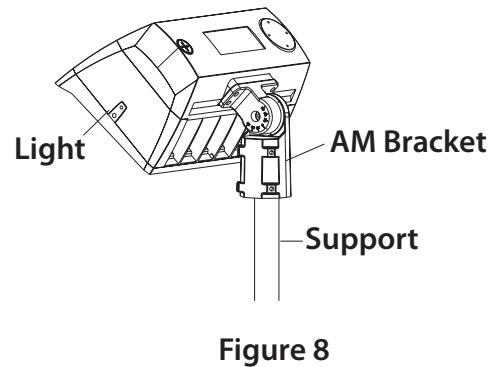
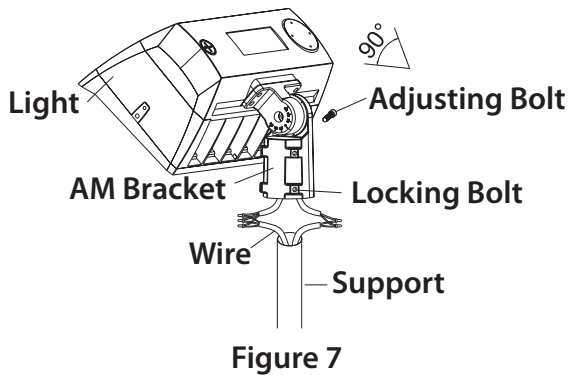
Installation of LED Lights :

1. ADJUSTABLE FITTER MOUNTING (AM)

Step 1: Connect the wire correctly and put the wire into pole. Then fasten the locking bolts between slip fitter and the pole. (Figure 7)

Step 2: Loosen the fixing bolts and adjusting bolts, align the fixture to required angle. Tighten adjusting bolt and fixing bolts after the angle is confirmed. (Figure 8)

Notice: Adjustable angle is 0~+/-90° (Figure 7)



2. YOKE MOUNTING (YM)

Step 1: Drill holes on the wall as shown. (Figure 9)

Step 2: Knock the expansion bolts into the wall. (Figure 10)

Step 3: Connect the fixture to the bracket and tighten the screws; connect the wires properly. (Figure 11)

Notice: Adjustable angle is 0~+/-90° (Figure 11)

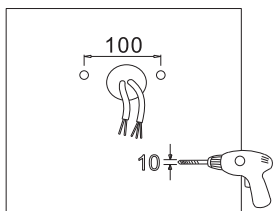


Figure 9

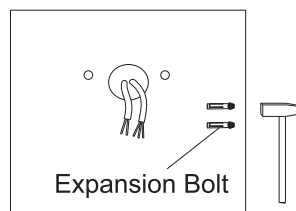


Figure 10

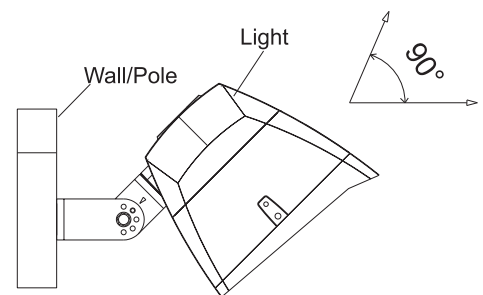


Figure 11

UNION™

LED Flood Light



Installation

3. FLOOD MOUNTING (FM)

Step 1: Drill holes on the wall as shown. (Figure 12)

Step 2: Knock the expansion bolts into the wall. (Figure 13)

Step 3: Connect the fixture to the bracket and tighten the screws; connect the wires properly and put them into junction box. (Figure 14)

Notice: Adjustable angle is 0~+/-90° (Figure 14)

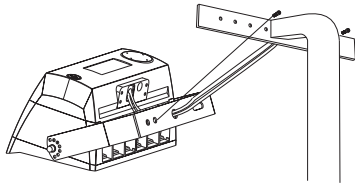


Figure 12

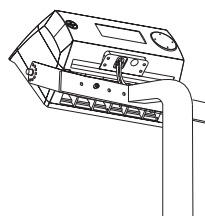
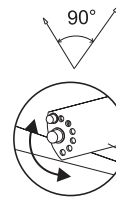


Figure 13



Loosen the angle to adjust the screw, after adjust to the angle that you need, then tighten the screws.

Figure 14

SPECIAL FUNCTIONS INSTRUCTION:

1. Instructions for Photocell

When the photocell function is required, photocell should be installed on the back of light;

When it's not required, shorting cap should be installed on the back of light (Figure 15)

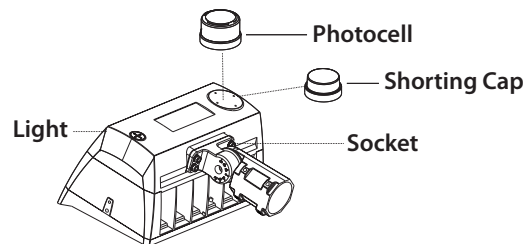


Figure 15

2. Function Adjustment

Step 1: Open the metal plug counterclockwise with a screwdriver, then slide the switch up and down to adjust the power controller or CCT controller in your demand (Figure 16).

Step 2: After adjusting the required control function, tighten the metal plug clockwise (Figure 17).

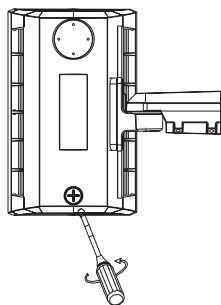


Figure 16

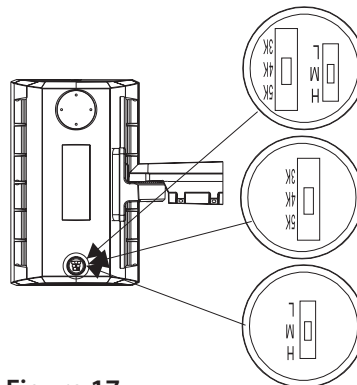


Figure 17



UNION™

LED Flood Light

Notice For User

- Please turn off power before install or change assembly parts.
- The input voltage and lamps should be matched, after connecting the power line, Please make sure the wiring section is insulated.
- No-professionals, must not install and disassemble the lamps.

Trouble Shootings

Troubles	Check Points
Flickering of the light	Turn off the power and turn on again in 3 minutes. If same phenomena occur, then call agencies.
Not Working	Please check the connection

Packaging

SKU	Carton Size (Inches)	Qty. / Box	Net Weight	Gross Weight
156693	13.58 x 13 x 9.84"	1 PC	9.90 LBS	11.60 LBS
156598	15.35 x 14.96 x 10.63"	1 PC	12.94 LBS	15.91 LBS

UNION™

LED Flood Light



Application Image



LED FLOOD LIGHT