

L-864 CK Series Red LED Medium Intensity Beacon

Compliance & Approval:

- ICAO Annex 14, Volume I, 6th Edition, July, 2013
- ICAO Aerodromes Design Manual, Chapter 18
- FAA AC150/5345-43G
- FAA Engineering Brief 67 Specifications
- Certified to ICAO compliant by Intertek

Applications:

- ICAO medium intensity type B
- ICAO medium intensity type C
- FAA L-864 type

Advantages:

- ICAO Approval.
- Portable and lightweight, easy transportation.
- Fixture can be used with 100V~250V AC, 50Hz or 60Hz.
- LED low power consumption only 10 Watts average.
- Internal single chip computer control smart and reliable.
- Surge protection device integrated in the light.

Technical Features:

- Operation voltage: 100V~250V AC, 50HZ/60HZ.
- Lamp: 100,000 hours high quality LED.
- FPM: 20 to 60 flashes/per minute pre-set in factory.
- Color: Red.
- Flash/Fixed: Both available.
- Output: 360° horizontal; 4° vertical.
- Photo sensor: 100Lux
- Lighting protection level: 10KA
- Housing: casting aluminum & PC lens cover.
- Finish: UV stabilized spraying plastic.
- Overall size: $\phi 21\text{cm} \times 14\text{cm}$.
- Mounting size: $12.6\text{cm} \times 12.6\text{cm} - 4 \times \text{M}10$.
- IP rating: IP65.
- Weight: 2.5KG.
- Operating: -40°C to 60°C .
- Wind speed: 80m/s.

Optical:

Vertical Deg.	Requirements	Actual
0° average minimum	2000cd	2277cd
(360° all radials horizontal)		
0° minimum	1500cd	2142cd
-1° minimum	750cd	2004cd
Vertical beam spread	750cd at 3°	942cd at 4°
angle & light intensity min.		

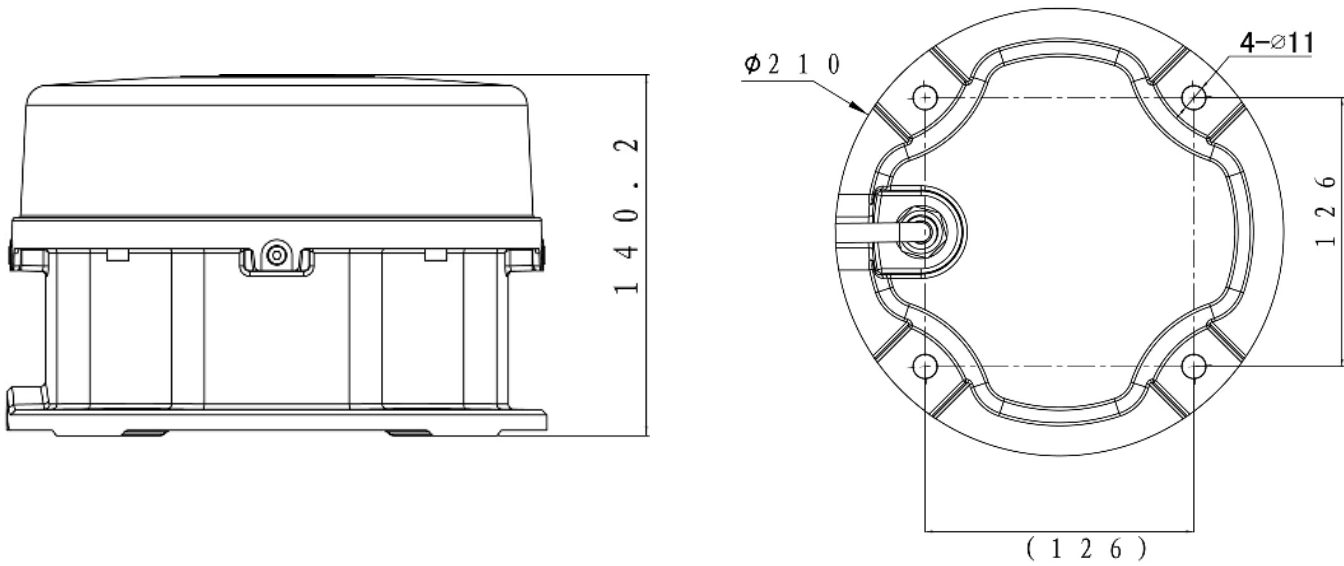


The CK series obstruction beacon utilizes state-of-the-art optical design to achieve smaller and portable shapes, better efficient and lower consumption. Its robust will provide years of maintenance free service. It will be the user's best choice to protect their benefits.

It is used increase conspicuity of structures or obstructions during nighttime.

Widely used in any obstruction like high-rise buildings, chimney, telecom towers, transmission power towers, airports, wind turbines and crane machines.

General Dimensions



Ordering Code:

Type	Flash	FPM ¹	Lamp	Synchronized Method	Housing Finish Color	Lamp Cover Finish Color	Monitor
Model 16	F: Flashing	20 40 60 NF ²	AC: 100/250V DC: 10/24V	00 ³ GPS	Y: Yellow B: Blue	C: Clear R: Red	CP ⁴

¹ FPM:Flashes per minute

² NF: No Flashes, order steady type by "16-F-NF...".

³ 00: Standard single light, 3 core cables pre-wired, independently flash, can not synchronized flash with other lights.

⁴ CP: Separate order the CP "control panel", for a purpose of light failure monitor and control function.